



CASE
CONSTRUCTION

SV-SERIES STAGE V BACKHOE LOADERS



580SV | 590SV | 695SV

580SV - 590SV - 695SV

MAIN SPECIFICATIONS

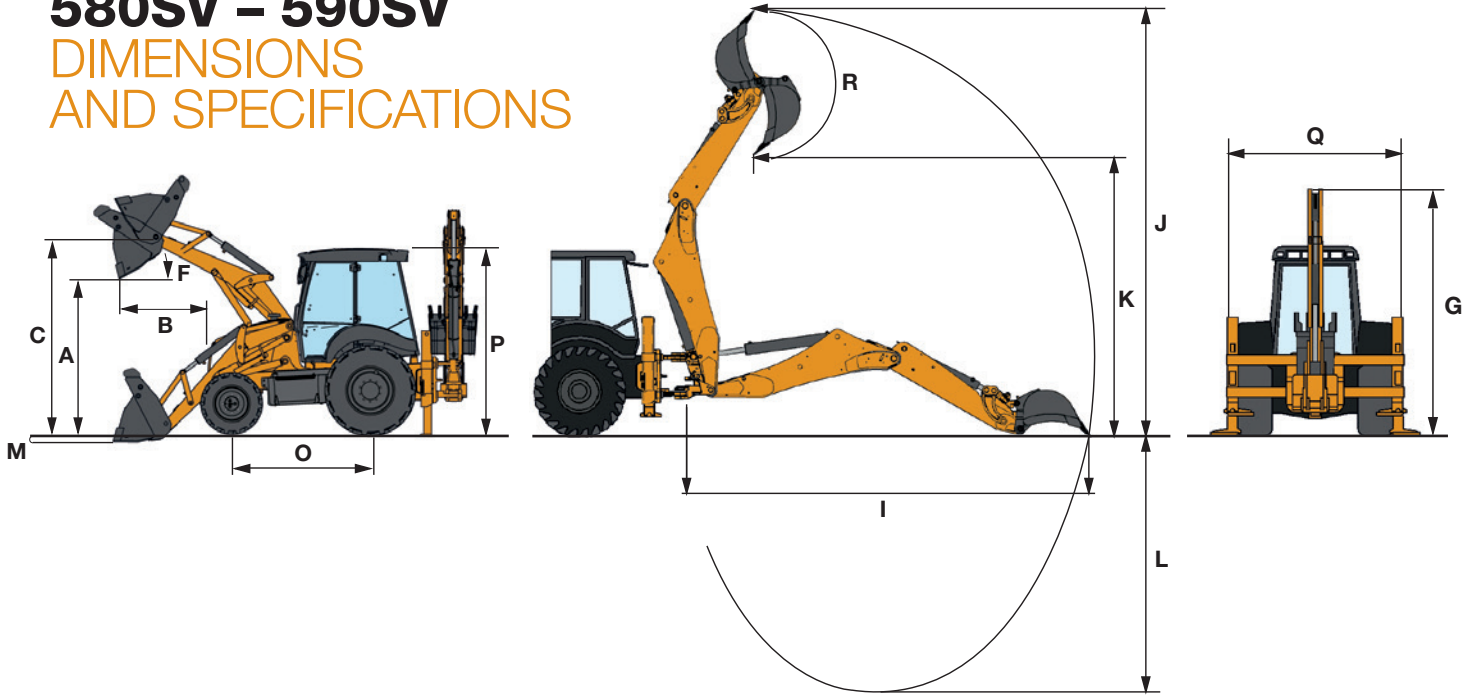
SPECIFICATIONS		580SV	
ENGINE			
Make and Model	FPT F5C - F5MGL413B		
Injection system	High Pressure Common Rail		
Emissions level	Stage V		
# of cylinders	4		
Bore / Stroke	102 mm x 110 mm		
Displacement / Compression ratio	3.6 ltr / 17 to 1		
Engine rated Power (ISO 14396)	72 kW (97 hp) @ 2200 rpm		
Max Net Power	84 kW (112 hp) @2000 rpm		
Maximum torque (ISO 14396)	453 Nm @ 1400 rpm		
Engine speeds	2200 rpm (rated speed at full load) / 900-1000 rpm (low speed at no load)		
TRANSMISSION			
Type	4WD		
	Powershuttle	Powershift	Direct Drive
Model	Carraro TLB1 PB 4WD	Carraro TLB2 MPB 4WD	Carraro TLB2 2WS DD SAHR PB 4WD
Forward travel speeds	6 - 10 - 21 - 40 (kph)	6 - 10 - 21 - 40 (kph)	6 - 10 - 21 - 22 - 38 - 40 (kph)
Reverse travel speeds	7 - 12 - 26 - 40 (kph)	7 - 12 - 26 (kph)	7 - 12 - 26 (kph)
FRONT AXLE			
Model	4WD Heavy duty		
Oscillation	+/- 11°		
REAR AXLE			
Model	Carraro 28.44FR with Differential lock		
BRAKES			
Service brakes	Hydraulic foot operated, 2 disc per side		
Parking brakes	Mechanically Actuated or Hydraulically actuated (SAHR)		
TIRES			
Front	18" or 20"		
Rear	26" / 28" or 30"		
STEERING			
Type	Power Steering - Comfort Steering		
Pressure	180-190 bar		
Turning radius 4WD (external radius)	With 18" tires: 4300 mm with brakes off 3600 mm with brakes on		
HYDRAULIC SYSTEM			
Type	Load sensing closed center with twin gear pump (Straight Loader Arm version only)	Load sensing closed center with variable volume pump	
Flow (@ 2200 rpm)	156 l/min	6 to 163 l/min	
Pressure Loader	240 bar (205 for Straight Loader Arm version)		
Pressure Backhoe - std operation	205 bar		
Pressure Backhoe - Power Boost / Power Lift	240 bar		
SERVICE CAPACITIES			
Engine oil	8 l		
Transmission oil	20.8 l		
Rear axle oil	15.5 l		
Hydraulic oil	142 l		
Fuel tank	128 l		
DEF tank	13.2 l		
Coolant	24 l		
ELECTRICAL SYSTEM			
Voltage	12 V		
Battery	Single: 95 Ah 900 A or Double: 60 Ah, 600 A (each)		
Alternator	120 A		
CAB			
Certification	ROPS / FOPS		
Air Conditioning	Optional		
Storage compartments capacity	45 l including: 2 lockable, cooling box		
Speedometer	Optional		
Bluetooth radio	Optional		
NOISE			
Internal (cab)	74 dB(A)		
External	101 dB(A)		

* SAHR only with DD transmission

590SV			695SV	
FPT F5C - F5MGL413A			FPT F5C - F5MGL413A	
High Pressure Common Rail			High Pressure Common Rail	
Stage V			Stage V	
4			4	
102 mm x 110 mm			102 mm x 110 mm	
3.6 ltr / 17 to 1			3.6 ltr / 17 to 1	
82 kW (110 hp) @ 2200 rpm			82 kW (110 hp) @ 2200 rpm	
89 kW (119 hp) @1900 rpm			89 kW (119 hp) @1900 rpm	
460 Nm @ 1400 rpm			460 Nm @ 1400 rpm	
2200 rpm (rated speed at full load) / 900-1000 rpm (low speed at no load)			2200 rpm (rated speed at full load) / 900-1000 rpm (low speed at no load)	
4WD			4WD - 4WS	
Powershuttle	Powershift	Direct Drive	Powershift	Direct Drive
Carraro TLB1 PB 4WD	Carraro TLB2 MPB 4WD	Carraro TLB2 2WS DD SAHR PB 4WD	Carraro TLB2 4WS MPB	Carraro TLB2 4WS DD SAHR PB 4WD
6 - 10 - 21 - 40 (kph)	6 - 10 - 21 - 40 (kph)	6 - 10 - 21 - 22 - 38 - 40 (kph)	7 - 11 - 24 - 40 (kph)	6 - 10 - 21 - 22 - 38 - 40 (kph)
7 - 12 - 26- 40 (kph)	7 - 12 - 26 (kph)	7 - 12 - 26 (kph)	8 - 13 - 29 (kph)	8 - 13 - 29 (kph)
4WD Heavy duty +/- 11°			4WD with limited slip differential +/- 8°	
Carraro 28.50 with Differential lock			Carraro 26.43 with limited slip differential	
Hydraulic foot operated, 2 disc per side Mechanically Actuated or Hydraulically actuated (SAHR)			Hydraulic foot operated, 3 disc per side Mechanically Actuated or Hydraulically actuated (SAHR)	
18" or 20" 26" / 28" or 30"			28" 28"	
Power Steering - Comfort Steering 180-190 bar			Power Steering - Comfort Steering 180-190 bar	
With 18" tires: 4300 mm with brakes off 3600 mm with brakes on			With 28" tires: 8180 mm in 2WS mode with brakes off; 6820 mm in 2WS mode with brakes on; 4810 mm in 4WS mode with brakes off	
Load sensing closed center with variable volume pump			Load sensing closed center with variable volume pump	
6 to 165 l/min			6 to 165 l/min	
240 bar			240 bar	
205 bar			205 bar	
240 bar			240 bar	
8 l			8 l	
20.8 l			20.8 l	
17 l			13.6 l	
142 l			142 l	
128 l			128 l	
13.2 l			13.2 l	
24 l			24 l	
12 V			12 V	
Single: 95 Ah 900 A or Double: 60 Ah, 600 A (each)			Single: 95 Ah 900 A or Double: 60 Ah, 600 A (each)	
120 A			120 A	
ROPS / FOPS			ROPS / FOPS	
Optional			Optional	
45 l including: 2 lockable, cooling box			45 l including: 2 lockable, cooling box	
Optional			Optional	
Optional			Optional	
74 dB(A)			74 dB(A)	
102 dB(A)			102 dB(A)	

580SV – 590SV

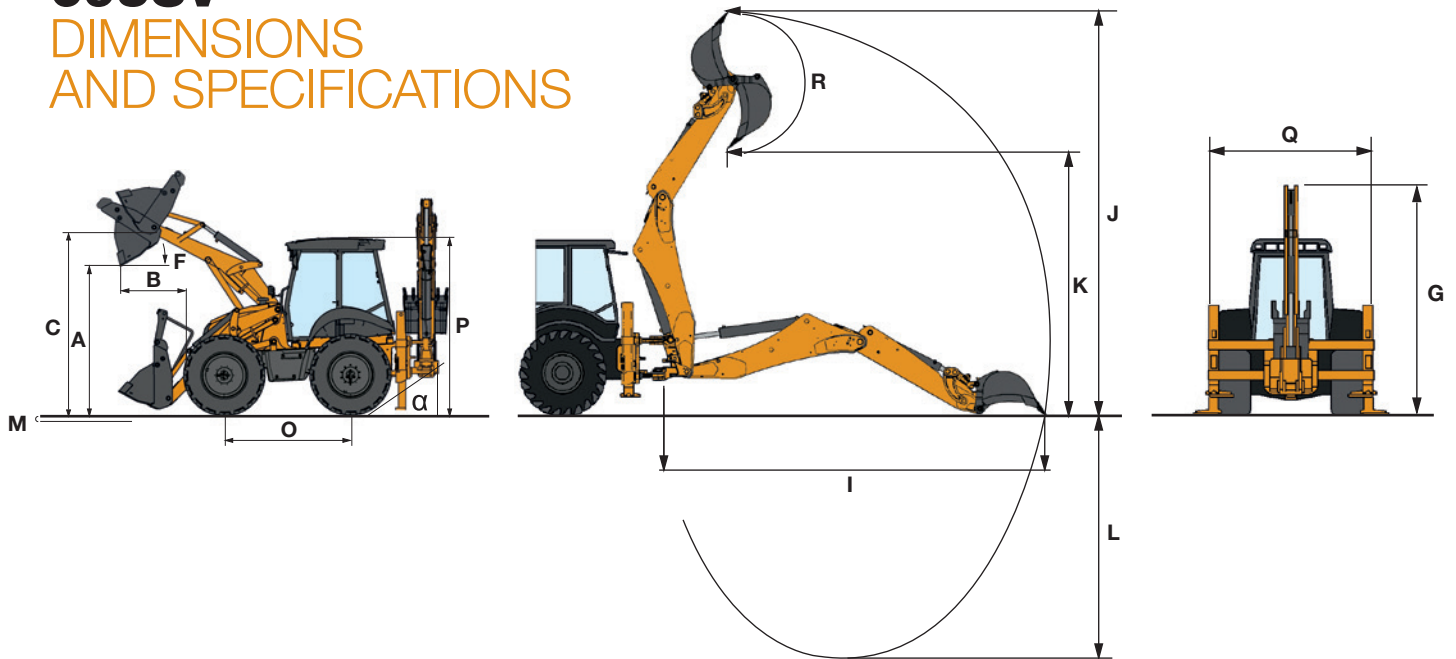
DIMENSIONS AND SPECIFICATIONS



GENERAL DIMENSIONS		580SV - 590SV		580SV		
LOADER (4WD configuration)		TOOL CARRIER LOADER ARM		STRAIGHT LOADER ARM		
		Std bucket	4 x 1 bucket	Std bucket	4 x 1 bucket	
A	Maximum dump height under bucket at 45°	mm	2606	2665	2711	2726
B	Dump Reach at full height	mm	844	771	815	757
C	Maximum height pin	mm	3478		3498	
F	Dump angle	°	43		40	
M	Below ground level digging depth	mm	166	170	105	157
	Maximum lifting capacity @ ground level	kg	4830	4610	5000	4745
	Maximum lifting capacity @ max height	kg	3450	3195	3550	3290
	Loader breakout force	daN	3580		3550	
	Bucket breakout force	daN	6890		6220	
		580SV		590SV	580SV, 590SV	
BACKHOE		CASE DNA BACKHOE	IN-LINE CYLINDER BACKHOE		CASE DNA BACKHOE	IN-LINE CYLINDER BACKHOE
		Extendable Dipper	Std Dipper	Extendable Dipper	Extendable Dipper	Std Dipper Extendable Dipper
	Backhoe size	ft	14	14	15	15
	Swinging angle	°	180			
I	Maximum reach from swing center	mm	6640	5733 6686	7054	5878 6974
J	Maximum operating height	mm	6786	5629 6262	7148	5726 6446
K	Maximum loading height	mm	4939	3932 4565	5304	4004 4724
L	Maximum digging depth	mm	5328	4338 5378	5780	4499 5688
R	Bucket rotation	°	197	197	197	197
	Bucket breakout force (add 15% with Power boost on)	daN	5326	5971 (max force hole)		6114 5971 (max force hole)
	Dipper breakout force (add 15% with Power boost on)	daN	2375	3767 2592	2420	3358 2389
G	Boom height (transport position)	mm	3638	3816 3900	3638	3816 3900
OVERALL DIMENSIONS		580SV - 590SV				
O	Wheel base	mm	2183			
P	Cab height	mm	2859			
Q	Overall width with standard loader bucket	mm	2445			
	Minimum ground clearance	mm	337			
WEIGHTS		580SV - 590SV				
	Maximum operating weight	kg	9580			
OPTIONAL BUCKETS		580SV - 590SV				
LOADER	Capacity (SAE ltr)	CASE DNA BACKHOE	Capacity (SAE ltr)	IN-LINE-CYLINDER BACKHOE	Capacity (SAE ltr)	
Standard	1000 / 1200	300 mm backhoe trenching	80	300 mm backhoe trenching*	80	
4 x 1	1000 / 1150	400 mm backhoe trenching*	110	457 mm backhoe trenching*	140	
6 x 1	1000 / 1150	450 mm backhoe trenching*	120	610 mm backhoe trenching*	180	
		610 mm backhoe trenching*	180	760 mm backhoe trenching*	260	
		760 mm backhoe trenching	260	915 mm backhoe trenching*	320	
		900 mm backhoe trenching*	300			
		1500 mm Ditch Cleaning	280			

695SV

DIMENSIONS AND SPECIFICATIONS



GENERAL DIMENSIONS

695SV

	TOOL CARRIER LOADER ARM		
		Std bucket	4 x 1 bucket
LOADER			
A Maximum dump height under bucket at 45°	mm	2708	2718
B Dump Reach at full height	mm	799	782
C Maximum height pin	mm	3531	3531
F Dump angle	°	46	
M Below ground level digging depth	mm	93	97
Maximum lifting capacity @ ground level	kg	4770	4580
Maximum lifting capacity @ max height	kg	3380	3075
Loader breakout force	daN	3975	
Bucket breakout force	daN	6310	

BACKHOE			CASE DNA BACKHOE		IN-LINE CYLINDER BACKHOE	
			Extendable Dipper	Std Dipper	Extendable Dipper	
Backhoe size	ft		15	15		
Swinging angle	°		180			
I Maximum reach from swing center	mm		7055	5879	6975	
J Maximum operating height	mm		7286	5871	6599	
K Maximum loading height	mm		5440	4143	4871	
L Maximum digging depth	mm		5641	4360	5550	
R Bucket rotation	°		197	197		
Bucket breakout force (add 15% with Power boost on)	daN		6114	5971		
Dipper breakout force (add 15% with Power boost on)	daN		2420	3358	2389	
G Boom height (transport position)	mm		3837	3922	4013	

OVERALL DIMENSIONS

695SV

O Wheel base	mm	2220
P Cab height	mm	3060
Q Overall width with standard loader bucket	mm	2480
α Ramp angle	°	27

WEIGHTS

695SV

Maximum operating weight	kg	9970
--------------------------	----	------

OPTIONAL BUCKETS

LOADER	Capacity (SAE ltr)	CASE DNA BACKHOE	Capacity (SAE ltr)	IN-LINE-CYLINDER BACKHOE	Capacity (SAE ltr)
Standard	1200	300 mm backhoe trenching	80	300 mm backhoe trenching*	80
4 x 1	1150 / 1200	400 mm backhoe trenching*	110	457 mm backhoe trenching*	140
6 x 1	1150 / 1200	450 mm backhoe trenching*	120	610 mm backhoe trenching*	180
		610 mm backhoe trenching*	180	760 mm backhoe trenching*	260
		760 mm backhoe trenching	260	915 mm backhoe trenching*	320
		900 mm backhoe trenching*	300		
		1500 mm Ditch Cleaning	280		

* Standard and Heavy Duty versions