



**CASE**  
CONSTRUCTION

# E-SERIES CRAWLER EXCAVATORS



CX250E | CX300E

# STANDARD AND OPTIONS

## STANDARD EQUIPMENT

### ENGINE

- + FPT NEF6 (F4HGE613P\*V) -cylinder turbo-charged diesel [CX250E]
- + FPT NEF6 (F4HGE6138\*V) -cylinder turbo-charged diesel [CX300E]
- + Stage V
- + Selective Catalytic Reduction on Filter (SCRoF)
- + Diesel Oxidation Catalyst (DOC)
- + EGR-free
- + VGT turbocharger
- + Electronic fuel injection
- + High pressure common rail system
- + Neutral safety start
- + Auto engine warm up, emergency stop
- + Glow-plug pre-heat
- + EPF (Engine Protection Feature)
- + Dual-stage fuel filtration
- + Dual element air filter
- + Remote oil filter
- + Green plug oil drain
- + 1,000 hour engine oil and fuel filters change interval
- + 24V system
- + Battery disconnect switch
- + High ambient temperature cooling package
- + External fuel and AdBlue gauges
- + Fuel cooler
- + Fuel filter + fuel prefilter with water accumulation indicator
- + Fuel shut-off valve
- + Idle start
- + Radiator, oil cooler, intercooler - protective screen
- + Refueling pump

### FUEL ECONOMY SYSTEMS

- + Eco mode
- + Auto idle
- + One-touch idle
- + Idle shutdown
- + Pump Torque Control (PTC)
- + Boom Economy Control (BEC)
- + Swing Relief Control (SRF)
- + Spool Stroke Control (SSC)
- + Boom Oil Regeneration (BOR)

## OPTIONAL EQUIPMENT

### ENGINE

- + Engine precleaner cyclonic type
- + Reversible fan [CX250E]

### HYDRAULICS

- + Clamshell circuit
- + Low-flow circuit, proportional control
- + Double acting circuit with electrical proportional control [only on CX250E Long Reach]

### UPPERSTRUCTURE

- + Hydraulic and engine oil sampling ports
- + Automatic greasing system [n.a. on CX250E Long Reach]

### HYDRAULICS

- + Hydraulic flow control balance
- + Electronically controlled hydraulic pumps
- + Auto power boost
- + Multifunction (hammer/high flow) circuit with electrical proportional control (n.a. on CX250E Long Reach)
- + Auto travel speed change
- + 4 selectable work modes
- + Overload warning device
- + ISO pattern controls
- + Pre-set auxiliary pump settings
- + Switch controlled auxiliary selection
- + Auxiliary valve
- + Hydraulic filter restriction indicator
- + Oil cooler
- + 5,000 hour hydraulic oil change interval
- + 2,000 hour hydraulic filter change interval
- + Hydraulic quick coupler provision
- + Hydraulic fluid supply port with air breather

### UPPERSTRUCTURE

- + ISO mirrors
- + Handrail - RH access
- + ISO guard rails
- + Isolation mounted cab (fluid and spring)
- + Lifting eyes for counterweight
- + Lockable fuel cap, service doors and toolbox
- + Rear and side view safety camera

### OPERATOR STATION

- + ROPS protection
- + FOPS guard OPG level 2
- + Pressurized cab
- + Tempered safety glass
- + One-touch lock front window
- + Sun visor & rain deflector
- + A/C, heating and defrosting with automatic control
- + Luch box & cool box, cup holders & ashtray
- + Interior dome light
- + Multi-adjustable low frequency air suspension console and tiltable heated seat with air springs and double acting hydraulic damper
- + Sliding seat - 90 mm

### OPERATOR STATION

- + Front cab guard - vertical bars (OPG level 2)
- + Front cab guard - vertical bars (OPG level 1)
- + Front mesh screen, available as DIA kit
- + Rain deflector
- + CASE Maximum View Monitor - 270° view with additional left side camera
- + 12 LED Deluxe work lights (4 cab roof, 1 LH boom, 1 RH boom, 1 boom foot, 1 toolbox, 4 all-around)
- + Steelwrist-ready tiltrotator provision

- + Seat belt with fasten detection
- + Adjustable armrests
- + Low-effort joystick controls
- + Sliding cockpit - 80 mm
- + Auxiliary select system
- + Aux-in port for personal electronics
- + Multifunction LED color monitor (10"), with silicon switches
- + 22 selectable languages for monitor
- + Anti-theft system (start code system)
- + Split type floor mat
- + 12V electric socket
- + 24V cigarette lighter
- + One-piece right hand window
- + 8 LED work lights (2 cab roof, 1 LH boom, 1 toolbox, 4 all-around)
- + Windshield wiper / washer
- + Clear (Lexan) roof window with sunshade
- + Storage compartments
- + On-board diagnostic system
- + Travel alarm
- + DAB+ Bluetooth radio with antenna and 2 speakers

### ATTACHMENTS

- + Standard boom 5.85 m [CX250E] or 6.15 m [CX300E]
- + Long reach boom 10.3 m [CX250E Long Reach]
- + Arm 3.00 m [CX250E] or 3.18 m [CX300E]
- + Long reach arm 8.0 m [CX250E Long Reach]
- + Attachment types and names storable in the display

### UNDERCARRIAGE

- + 600 mm steel triple grouser shoes
- + Full overlap turntable bearing tub
- + Sealed link chain
- + Lashing points

### TELEMATICS

- + SiteConnect module and 7 years myCASEConstruction subscription with remote monitoring

### ATTACHMENTS

- + Arm HD 2.50 / 3.52 m [CX250E] or 2.65 / 3.66 m [CX300E]

### UNDERCARRIAGE

- + 700 / 800 mm steel triple grouser shoes
- + 900 mm steel triple grouser shoes [for swampy grounds, only on CX250E LC]
- + Triple track guide

# SPECIFICATIONS CX250E

## ENGINE

Model \_\_\_\_\_ FPT NEF6 (F4HGE613P\*V)  
 Type \_\_\_\_\_ Water-cooled, 4-cycle diesel, 6-cylinder in line, High pressure common rail system (electric control), Turbocharger with air cooled intercooler, SCRoF, EGR free.  
 Number of cylinders / Displacement (l) \_\_\_\_\_ 6 / 6.7  
 Emissions level \_\_\_\_\_ Stage V  
 Bore and stroke (mm) \_\_\_\_\_ 104 x 132  
**Rated flywheel horse power**  
 ISO 9249 (kW) \_\_\_\_\_ 133.4 at 2000 min<sup>-1</sup> (rpm)  
 ISO 14396 (kW) \_\_\_\_\_ 138.0 at 2000 min<sup>-1</sup> (rpm)  
**Maximum torque**  
 ISO 9249 (Nm) \_\_\_\_\_ 642 at 1800 min<sup>-1</sup> (rpm)  
 ISO 14396 (Nm) \_\_\_\_\_ 659 at 1800 min<sup>-1</sup> (rpm)

## HYDRAULIC SYSTEM

Main pumps \_\_\_\_\_ 2 variable displacement axial piston pumps with regulating system  
 Max. oil flow (l/min) \_\_\_\_\_ 2 x 234 at 2000 min<sup>-1</sup>  
**Working circuit pressure**  
 Boom/Arm/Bucket (MPa) \_\_\_\_\_ 34.3 - 37.3 with auto power boost  
 Swing circuit (LC/NLC) (MPa) \_\_\_\_\_ 28.9  
 Swing circuit (LR) (MPa) \_\_\_\_\_ 27.0  
 Travel circuit (MPa) \_\_\_\_\_ 34.3  
 Pilot pump \_\_\_\_\_ 1 gear pump  
 Max. oil flow (l/min) \_\_\_\_\_ 20  
 Working circuit pressure (MPa) \_\_\_\_\_ 3.9  
**Boom cylinders**  
 Bore (mm) \_\_\_\_\_ 130  
 Stroke (mm) \_\_\_\_\_ 1335  
**Arm cylinder**  
 Bore (LC/NLC) (mm) \_\_\_\_\_ 145  
 Bore (LR) (mm) \_\_\_\_\_ 150  
 Stroke (LC/NLC) (mm) \_\_\_\_\_ 1660  
 Stroke (LR) (mm) \_\_\_\_\_ 1737  
**Bucket cylinder**  
 Bore (LC/NLC) (mm) \_\_\_\_\_ 130  
 Bore (LR) (mm) \_\_\_\_\_ 95  
 Stroke (LC/NLC) (mm) \_\_\_\_\_ 1070  
 Stroke (LR) (mm) \_\_\_\_\_ 881

| PERFORMANCE DATA       |    | Arm 3.00 m | Arm 2.50 m | Arm 3.52 m |
|------------------------|----|------------|------------|------------|
| Boom length            | mm | 5850       | 5850       | 5850       |
| Bucket radius          | mm | 1570       | 1570       | 1570       |
| Bucket wrist action    | °  | 175°       | 175°       | 175°       |
| A Maximum reach at GRP | mm | 10100      | 9630       | 10620      |
| B Maximum reach        | mm | 10280      | 9820       | 10790      |
| C Max. digging depth   | mm | 6900       | 6400       | 7420       |
| D Max. digging height  | mm | 9760       | 9560       | 10070      |
| E Max. dumping height  | mm | 6760       | 6550       | 7060       |
| F Min. swing radius    | mm | 4030       | 3980       | 4050       |

| DIGGING FORCE (ISO 6015) |    | Arm 3.00 m | Arm 2.50 m | Arm 3.52 m |
|--------------------------|----|------------|------------|------------|
| Arm digging force        | kN | 120        | 141        | 107        |
| with Auto power boost    | kN | 130        | 153        | 116        |
| Bucket digging force     | kN | 162        | 162        | 162        |
| with Auto power boost    | kN | 176        | 176        | 176        |

## SWING

Swing motor \_\_\_\_\_ Fixed displacement axial piston motor  
 Maximum swing speed (LC/NLC) (min<sup>-1</sup>) \_\_\_\_\_ 7.6  
 Maximum swing speed (LR) (min<sup>-1</sup>) \_\_\_\_\_ 5.4  
 Swing torque (LC/NLC) (kNm) \_\_\_\_\_ 74.9  
 Swing torque (LR) (kNm) \_\_\_\_\_ 69.9

## FILTERS

Suction filter (µm) \_\_\_\_\_ 105  
 Return filter (µm) \_\_\_\_\_ 6  
 Pilot line filter (µm) \_\_\_\_\_ 8

## ELECTRICAL SYSTEM

Voltage (V) \_\_\_\_\_ 24  
 Alternator (Amp) \_\_\_\_\_ 90  
 Starter (V - kW) \_\_\_\_\_ 24 - 4.0  
 Battery \_\_\_\_\_ 2 x 12 V 92 Ah/5HR

## UNDERCARRIAGE

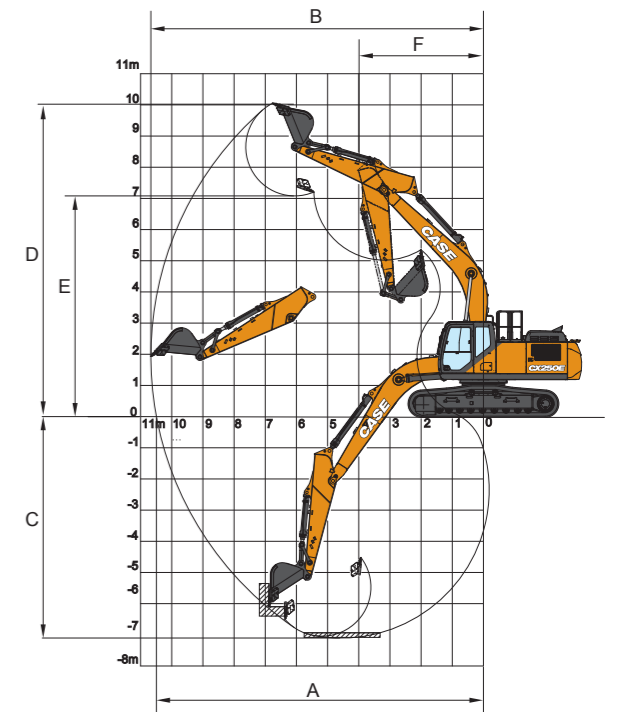
Travel motor \_\_\_\_\_ Variable displacement axial piston motor  
 High travel speed  
 (Automatic travel speed shifting) (km/h) \_\_\_\_\_ 5.5  
 Low travel speed (km/h) \_\_\_\_\_ 3.5  
 Drawbar pull (kN) \_\_\_\_\_ 201  
 Number of carrier rollers (each side) \_\_\_\_\_ 2  
 Number of track rollers (each side) \_\_\_\_\_ 9  
 Number of shoes (each side) \_\_\_\_\_ 51  
 Type of shoes \_\_\_\_\_ Triple grouser shoes  
 Gradeability \_\_\_\_\_ 70% (35°)

## NOISE

External guaranteed sound level (EU Directive 2000/14/EC) (dB(A)) \_\_\_\_\_ LwA 101  
 Operator cab sound pressure level (ISO 6396) (dB(A)) \_\_\_\_\_ LpA 67

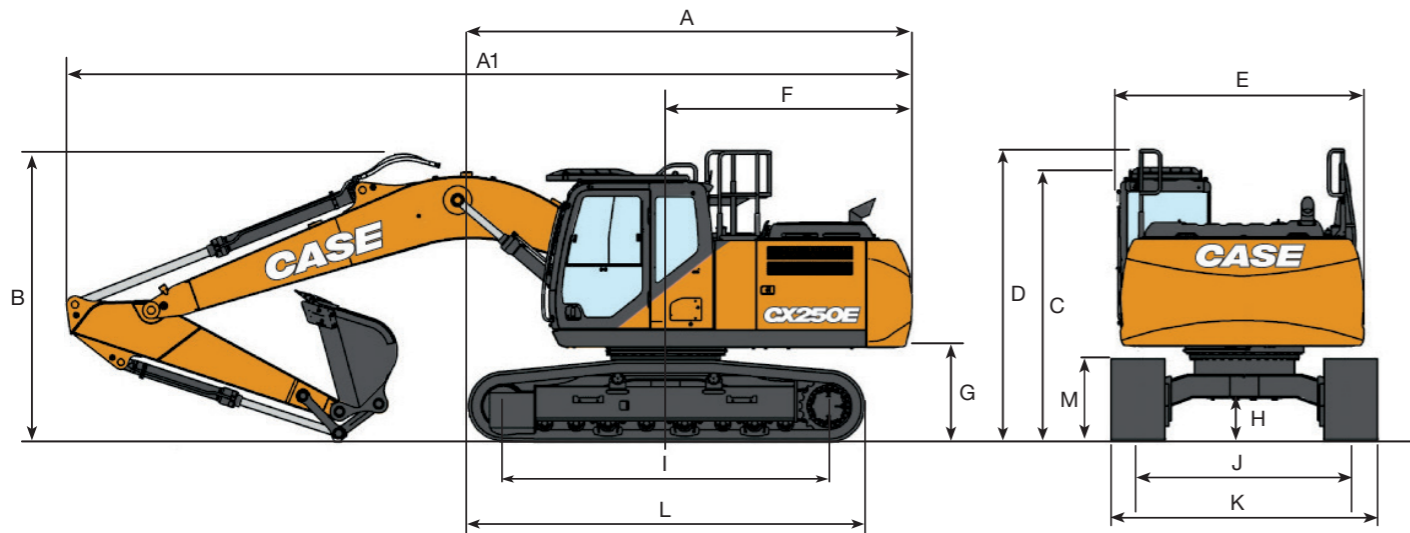
## CIRCUIT AND COMPONENT CAPACITIES

Fuel tank (l) \_\_\_\_\_ 410  
 Hydraulic system (l) \_\_\_\_\_ 290  
 Hydraulic tank (l) \_\_\_\_\_ 162  
 AdBlue tank (l) \_\_\_\_\_ 84



# SPECIFICATIONS

## CX250E LC-NLC



| GENERAL DIMENSIONS                                       |    | Arm 3.00 m  | HD arm 2.50 m | Arm 3.52 m  |
|--|----|-------------|---------------|-------------|
| A Overall length (without attachment)                    | mm | 5320        | 5320          | 5320        |
| A1 Overall length (with attachment)                      | mm | 9930        | 10000         | 9960        |
| B Overall height (to top of boom)                        | mm | 3210        | 3380          | 3380        |
| C Cab height   | mm | 3130        | 3130          | 3130        |
| D Overall height (to top of guardrail)                   | mm | 3220        | 3220          | 3220        |
| E Upper structure overall width (LC/NLC)                 | mm | 2770        | 2770          | 2770        |
| F Swing (rear end radius)                                | mm | 2990        | 2990          | 2990        |
| G Clearance height under upper structure                 | mm | 1110        | 1110          | 1110        |
| H Minimum ground clearance                               | mm | 440         | 440           | 440         |
| I Wheel base (center to center of wheels)                | mm | 3840        | 3840          | 3840        |
| J Track gauge (LC/NLC)                                   | mm | 2590 / 2390 | 2590 / 2390   | 2590 / 2390 |
| K Undercarriage overall width (LC/NLC with 600 mm shoes) | mm | 3190 / 2990 | 3190 / 2990   | 3190 / 2990 |
| L Crawler overall length                                 | mm | 4650        | 4650          | 4650        |
| M Crawler tracks height                                  | mm | 940         | 940           | 940         |

### WEIGHT AND GROUND PRESSURE

With 3.00 m arm, 1.1 m<sup>3</sup> bucket, operator, lubricant, coolant, full fuel tank and FOPS protection level 2.

| LC                   | Weight   | Ground pressure | NLC                  | Weight   | Ground pressure |
|----------------------|----------|-----------------|----------------------|----------|-----------------|
| 600 mm grouser shoes | 25300 kg | 0.050 MPa       | 600 mm grouser shoes | 25200 kg | 0.050 MPa       |
| 700 mm grouser shoes | 25600 kg | 0.044 MPa       | 700 mm grouser shoes | 25500 kg | 0.043 MPa       |
| 800 mm grouser shoes | 25900 kg | 0.039 MPa       |                      |          |                 |
| 900 mm grouser shoes | 26300 kg | 0.035 MPa       |                      |          |                 |

Counterweight: 5050 kg

# HAMMER

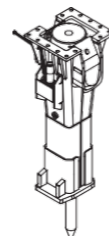
## CX250E

### DIRECT FIT

| Model             | Install Weight<br>kg | Reference machine settings |                        | Arm<br>2.50 m            | Arm<br>3.00 m            | Arm<br>3.52 m            |
|-------------------|----------------------|----------------------------|------------------------|--------------------------|--------------------------|--------------------------|
|                   |                      | Flow<br>l/min              | Relief Pressure<br>Mpa |                          |                          |                          |
| <b>CB BREAKER</b> |                      |                            |                        |                          |                          |                          |
| CB290S            | 1500                 | 145                        | 21-22                  | <input type="checkbox"/> | <input type="checkbox"/> | <input type="checkbox"/> |
| CB370S            | 1800                 | 160                        | 19-21                  | <input type="checkbox"/> | <input type="checkbox"/> | —                        |

Applicable  
— Not applicable

Applicable with condition (only for light duty works as residential construction or utilities maintenance)



# LIFTING CAPACITY

## CX250E LC-NLC

| REACH | REACH |       |       |       |              |  |  |  |  |  |
|-------|-------|-------|-------|-------|--------------|--|--|--|--|--|
|       | 2.0 m | 4.0 m | 6.0 m | 8.0 m | At max reach |  |  |  |  |  |
| Front |       |       |       |       |              |  |  |  |  |  |
| Side  |       |       |       |       |              |  |  |  |  |  |

**LC UNDERCARRIAGE** - Standard arm 3.00 m, 600 mm shoes, max reach 8.71 m

|        |        |        |        |       |       |      |      |       |       |      |
|--------|--------|--------|--------|-------|-------|------|------|-------|-------|------|
| 8.0 m  |        |        |        | 5570* | 5570* |      |      | 4710* | 4710* | 6.17 |
| 6.0 m  |        |        |        |       |       |      |      | 4210* | 4210* | 7.67 |
| 4.0 m  |        |        |        | 7600* | 6830  | 6330 | 4380 | 4140* | 4000  | 8.45 |
| 2.0 m  |        | 14230* | 11510  | 9150* | 6400  | 6160 | 4230 | 4330* | 3720  | 8.71 |
| 0 m    |        | 16040* | 10940  | 9210  | 6090  | 6020 | 4100 | 4870* | 3780  | 8.5  |
| -2.0 m | 10360* | 10360* | 15590* | 10880 | 9100  | 5990 |      | 6020* | 4260  | 7.77 |
| -4.0 m | 19900* | 19900* | 13160* | 11140 | 8640* | 6150 |      | 7790* | 5700  | 6.37 |

**LC UNDERCARRIAGE** - Short arm 2.50 m, 600 mm shoes, max reach 8.25 m

|        |        |        |        |       |      |      |      |       |       |      |
|--------|--------|--------|--------|-------|------|------|------|-------|-------|------|
| 8.0 m  |        |        |        |       |      |      |      | 6920* | 6920* | 5.50 |
| 6.0 m  |        |        |        | 7100* | 7050 |      |      | 6070* | 5290  | 7.14 |
| 4.0 m  |        | 11180* | 11180* | 8120* | 6730 |      |      | 5950* | 4350  | 7.97 |
| 2.0 m  |        |        |        | 9480  | 6330 | 6130 | 4200 | 5860  | 4020  | 8.24 |
| 0 m    |        | 14210* | 10900  | 9190  | 6070 | 6040 | 4120 | 6020  | 4110  | 8.02 |
| -2.0 m | 10890* | 10890* | 15110* | 10950 | 9140 | 6020 |      | 6960  | 4710  | 7.25 |
| -4.0 m |        |        | 12010* | 11290 |      |      |      | 8010* | 6720  | 5.72 |

**LC UNDERCARRIAGE** - Long arm 3.52 m, 600 mm shoes, max reach 9.21 m

|        |        |        |        |       |      |       |      |       |       |      |
|--------|--------|--------|--------|-------|------|-------|------|-------|-------|------|
| 8.0 m  |        |        |        |       |      |       |      | 3740* | 3740* | 6.87 |
| 6.0 m  |        |        |        |       |      | 4510* | 4500 | 3380* | 3380* | 8.24 |
| 4.0 m  |        |        |        | 6990* | 6900 | 6280* | 4400 | 3310* | 3310* | 8.97 |
| 2.0 m  |        | 13140* | 11720  | 8640* | 6430 | 6150  | 4220 | 3440* | 3390  | 9.21 |
| 0 m    |        | 15660* | 10930  | 9190  | 6060 | 5980  | 4050 | 3820* | 3430  | 9.01 |
| -2.0 m | 9280*  | 9280*  | 15810* | 10760 | 9020 | 5910  | 5920 | 4590* | 3800  | 8.34 |
| -4.0 m | 16710* | 16710* | 14000* | 10930 | 9110 | 5980  |      | 6480* | 4860  | 7.05 |

**NLC UNDERCARRIAGE** - Standard arm 3.00 m, 600 mm shoes, max reach 8.71 m

|        |        |        |        |       |       |      |      |       |       |      |
|--------|--------|--------|--------|-------|-------|------|------|-------|-------|------|
| 8.0 m  |        |        |        | 5570* | 5570* |      |      | 4710* | 4710* | 6.17 |
| 6.0 m  |        |        |        |       |       |      |      | 4210* | 4210* | 7.67 |
| 4.0 m  |        |        |        | 7600* | 6280  | 6310 | 4030 | 4140* | 3680  | 8.45 |
| 2.0 m  |        | 14230* | 10390  | 9150* | 5850  | 6140 | 3880 | 4330* | 3420  | 8.71 |
| 0 m    |        | 16040* | 9830   | 9180  | 5550  | 6000 | 3750 | 4870* | 3460  | 8.50 |
| -2.0 m | 10360* | 10360* | 15590* | 9780  | 9070  | 5450 |      | 6020* | 3890  | 7.77 |
| -4.0 m | 19900* | 19900* | 13160* | 10020 | 8640* | 5610 |      | 7790* | 5210  | 6.37 |

**NLC UNDERCARRIAGE** - Short arm 2.50 m, 600 mm shoes, max reach 8.25 m

|        |        |        |        |       |      |      |      |       |       |      |
|--------|--------|--------|--------|-------|------|------|------|-------|-------|------|
| 8.0 m  |        |        |        |       |      |      |      | 6920* | 6920* | 5.50 |
| 6.0 m  |        |        |        | 7100* | 6490 |      |      | 6070* | 4870  | 7.14 |
| 4.0 m  |        | 11180* | 11180* | 8120* | 6180 |      |      | 5950* | 4000  | 7.97 |
| 2.0 m  |        |        |        | 9450  | 5790 | 6110 | 3860 | 5840  | 3690  | 8.24 |
| 0 m    |        | 14210* | 9800   | 9160  | 5530 | 6020 | 3770 | 6000  | 3760  | 8.02 |
| -2.0 m | 10890* | 10890* | 15110* | 9850  | 9110 | 5490 |      | 6940  | 4310  | 7.25 |
| -4.0 m |        |        | 12010* | 10170 |      |      |      | 8010* | 6130  | 5.72 |

**NLC UNDERCARRIAGE** - Long arm 3.52 m, 600 mm shoes, max reach 9.21 m

|        |        |        |        |       |      |       |      |       |       |      |
|--------|--------|--------|--------|-------|------|-------|------|-------|-------|------|
| 8.0 m  |        |        |        |       |      |       |      | 3740* | 3740* | 6.87 |
| 6.0 m  |        |        |        |       |      | 4510* | 4150 | 3380* | 3380* | 8.24 |
| 4.0 m  |        |        |        | 6990* | 6340 | 6280* | 4050 | 3310* | 3310* | 8.97 |
| 2.0 m  |        | 13140* | 10580  | 8640* | 5890 | 6130  | 3870 | 3440* | 3110  | 9.21 |
| 0 m    |        | 15660* | 9820   | 9170  | 5530 | 5960  | 3710 | 3820* | 3140  | 9.01 |
| -2.0 m | 9280*  | 9280*  | 15810* | 9650  | 8990 | 5370  | 5900 | 4590* | 3470  | 8.34 |
| -4.0 m | 16710* | 16710* | 14000* | 9820  | 9080 | 5450  |      | 6480* | 4440  | 7.05 |

\* The above loads (kg) are compliant to the ISO standards and refer to the excavator equipped without bucket. The indicated loads are no more than 87% of hydraulic system lift capacity or 75% of static tipping load. Values marked with an asterisk (\*) are limited by the hydraulic lifting capacity.

# BUCKETS

## CX250E LC-NLC

### LC DIRECT FIT

| Capacity m <sup>3</sup><br>(ISO7451 HEAPED) | Width<br>mm | Weight<br>kg | Arm<br>2.50 m | Arm<br>3.00 m | Arm<br>3.52 m |
|---|-------------|--------------|---------------|---------------|---------------|
| <b>HEAVY DUTY BUCKETS</b>                   |             |              |               |               |               |
| 0.50  | 600         | 660          | ○             | ○             | ○             |
| 0.67  | 750         | 750          | ○             | ○             | ○             |
| 0.85  | 900         | 920          | ○             | ○             | ○             |
| 1.10  | 1100        | 1020         | ○             | ○             | ○             |
| 1.22  | 1200        | 1050         | ○             | ○             | ●             |
| 1.40  | 1350        | 1120         | ○             | ●             | ▲             |
| 1.61  | 1500        | 1200         | ●             | ▲             | ■             |
| 1.70  | 1600        | 1280         | ▲             | ■             | -             |
| <b>ROCK BUCKETS</b>                         |             |              |               |               |               |
| 0.49  | 600         | 870          | ○             | ○             | ○             |
| 0.66  | 750         | 960          | ○             | ○             | ○             |
| 0.84  | 900         | 1080         | ○             | ○             | ○             |
| 0.96  | 1000        | 1140         | ○             | ○             | ○             |
| 1.02  | 1050        | 1170         | ○             | ○             | ●             |
| 1.20  | 1200        | 1280         | ○             | ●             | ▲             |
| 1.39  | 1350        | 1360         | ●             | ▲             | ■             |
| 1.58  | 1500        | 1460         | ▲             | ■             | -             |
| <b>GRADING BUCKETS</b>                      |             |              |               |               |               |
| 1.38  | 1800        | 890*         | ○             | ●             | ▲             |
| 1.64  | 2100        | 980*         | ●             | ▲             | ■             |
| 1.90  | 2400        | 1090*        | ▲             | ■             | -             |
| <b>DITCH CLEANING BUCKETS</b>               |             |              |               |               |               |
| 0.89  | 1830        | 910*         | ○             | ○             | ●             |
| 1.48  | 2130        | 1020*        | ○             | ●             | ▲             |
| <b>TILTABLE DITCH CLEANING BUCKETS</b>      |             |              |               |               |               |
| 1.13  | 1800        | 1100*        | ○             | ○             | ●             |
| 1.25  | 2000        | 1160*        | ○             | ●             | ▲             |
| 1.38  | 2200        | 1250*        | ●             | ▲             | ■             |
| 1.51  | 2400        | 1310*        | ▲             | ■             | -             |
| 1.57  | 2500        | 1370*        | ■             | ■             | -             |

Tilt angle 45° L/R - Connect to Low-Flow Auxiliary Hydraulic Circuit

### NLC DIRECT FIT

| Capacity m <sup>3</sup><br>(ISO7451 HEAPED) | Width<br>mm | Weight<br>kg | Arm<br>2.50 m | Arm<br>3.00 m | Arm<br>3.52 m |
|---|-------------|--------------|---------------|---------------|---------------|
| <b>HEAVY DUTY BUCKETS</b>                   |             |              |               |               |               |
| 0.50  | 600         | 660          | ○             | ○             | ○             |
| 0.67  | 750         | 750          | ○             | ○             | ○             |
| 0.85  | 900         | 920          | ○             | ○             | ○             |
| 1.10  | 1100        | 1020         | ○             | ○             | ○             |
| 1.22  | 1200        | 1050         | ○             | ●             | ▲             |
| 1.40  | 1350        | 1120         | ●             | ▲             | ■             |
| 1.61  | 1500        | 1200         | ▲             | ■             | -             |
| 1.70  | 1600        | 1280         | ■             | -             | -             |
| <b>ROCK BUCKETS</b>                         |             |              |               |               |               |
| 0.49  | 600         | 870          | ○             | ○             | ○             |
| 0.66  | 750         | 960          | ○             | ○             | ○             |
| 0.84  | 900         | 1080         | ○             | ○             | ○             |
| 0.96  | 1000        | 1140         | ○             | ○             | ○             |
| 1.02  | 1050        | 1170         | ○             | ●             | ▲             |
| 1.20  | 1200        | 1280         | ○             | ●             | ▲             |
| 1.39  | 1350        | 1360         | ●             | ▲             | ■             |
| 1.58  | 1500        | 1460         | ▲             | ■             | -             |
| <b>GRADING BUCKETS</b>                      |             |              |               |               |               |
| 1.38  | 1800        | 890*         | ○             | ●             | ▲             |
| 1.64  | 2100        | 980*         | ●             | ▲             | ■             |
| 1.90  | 2400        | 1090*        | ■             | -             | -             |
| <b>DITCH CLEANING BUCKETS</b>               |             |              |               |               |               |
| 0.89  | 1830        | 910*         | ○             | ●             | ▲             |
| 1.48  | 2130        | 1020*        | ○             | ▲             | ■             |
| <b>TILTABLE DITCH CLEANING BUCKETS</b>      |             |              |               |               |               |
| 1.13  | 1800        | 1100*        | ○             | ●             | ▲             |
| 1.25  | 2000        | 1160*        | ○             | ▲             | ■             |
| 1.38  | 2200        | 1250*        | ▲             | ■             | -             |
| 1.51  | 2400        | 1310*        | ▲             | ■             | -             |
| 1.57  | 2500        | 1370*        | ■             | -             | -             |

### LC QUICK COUPLED

| Capacity m <sup>3</sup><br>(ISO7451 HEAPED) | Width<br>mm | Weight<br>kg | Arm<br>2.50 m | Arm<br>3.00 m | Arm<br>3.52 m |
|---|-------------|--------------|---------------|---------------|---------------|
| <b>HEAVY DUTY BUCKETS</b>                   |             |              |               |               |               |
| 0.50  | 600         | 660          | ○             | ○             | ○             |
| 0.67  | 750         | 750          | ○             | ○             | ○             |
| 0.85  | 900         | 920          | ○             | ○             | ●             |
| 1.10  | 1100        | 1020         | ○             | ●             | ▲             |
| 1.22  | 1200        | 1050         | ○             | ●             | ■             |
| 1.40  | 1350        | 1120         | ○             | ■             | -             |
| 1.61  | 1500        | 1200         | ▲             | ■             | -             |
| 1.70  | 1600        | 1280         | ■             | -             | -             |
| <b>ROCK BUCKETS</b>                         |             |              |               |               |               |
| 0.49  | 600         | 870          | ○             | ○             | ○             |
| 0.66  | 750         | 960          | ○             | ○             | ○             |
| 0.84  | 900         | 1080         | ○             | ○             | ○             |
| 0.96  | 1000        | 1140         | ○             | ○             | ○             |
| 1.02  | 1050        | 1170         | ○             | ●             | ▲             |
| 1.20  | 1200        | 1280         | ○             | ●             | ■             |
| 1.39  | 1350        | 1360         | ●             | ▲             | ■             |
| 1.58  | 1500        | 1460         | ▲             | ■             | -             |
| <b>GRADING BUCKETS</b>                      |             |              |               |               |               |
| 1.38  | 1800        | 890*         | ○             | ▲             | ■             |
| 1.64  | 2100        | 980*         | ▲             | ■             | -             |
| 1.90  | 2400        | 1090*        | ■             | -             | -             |
| <b>DITCH CLEANING BUCKETS</b>               |             |              |               |               |               |
| 0.89  | 1830        | 910*         | ○             | ●             | ■             |
| 1.48  | 2130        | 1020*        | ○             | ■             | -             |

### NLC QUICK COUPLED

| Capacity m <sup>3</sup><br>(ISO7451 HEAPED) | Width<br>mm | Weight<br>kg | Arm<br>2.50 m | Arm<br>3.00 m | Arm<br>3.52 m |
|---|-------------|--------------|---------------|---------------|---------------|
| <b>HEAVY DUTY BUCKETS</b>                   |             |              |               |               |               |
| 0.50  | 600         | 660          | ○             | ○             | ○             |
| 0.67  | 750         | 750          | ○             | ○             | ○             |
| 0.85  | 900         | 920          | ○             | ○             | ●             |
| 1.10  | 1100        | 1020         | ○             | ●             | ▲             |
| 1.22  | 1200        | 1050         | ○             | ●             | ■             |
| 1.40  | 1350        | 1120         | ○             | ■             | -             |
| 1.61  | 1500        | 1200         | ▲             | ■             | -             |
| <b>ROCK BUCKETS</b>                         |             |              |               |               |               |
| 0.49  | 600         | 870          | ○             | ○             | ○             |
| 0.66  | 750         | 960          | ○             | ○             | ○             |
| 0.84  | 900         | 1080         | ○             | ○             | ○             |
| 0.96  | 1000        | 1140         | ○             | ○             | ○             |
| 1.02  | 1050        | 1170         | ○             | ●             | ▲             |
| 1.20  | 1200        | 1280         | ○             | ●             | ■             |
| 1.39  | 1350        | 1360         | ●             | ▲             | ■             |
| <b>GRADING BUCKETS</b>                      |             |              |               |               |               |
| 1.38  | 1800        | 890*         | ○             | ■             | -             |
| 1.64  | 2100        | 980*         | ■             | -             | -             |
| <b>DITCH CLEANING BUCKETS</b>               |             |              |               |               |               |
| 0.89  | 1830        | 910*         | ○             | ▲             | ■             |
| 1.48  | 2130        | 1020*        | ○             | ■             | -             |

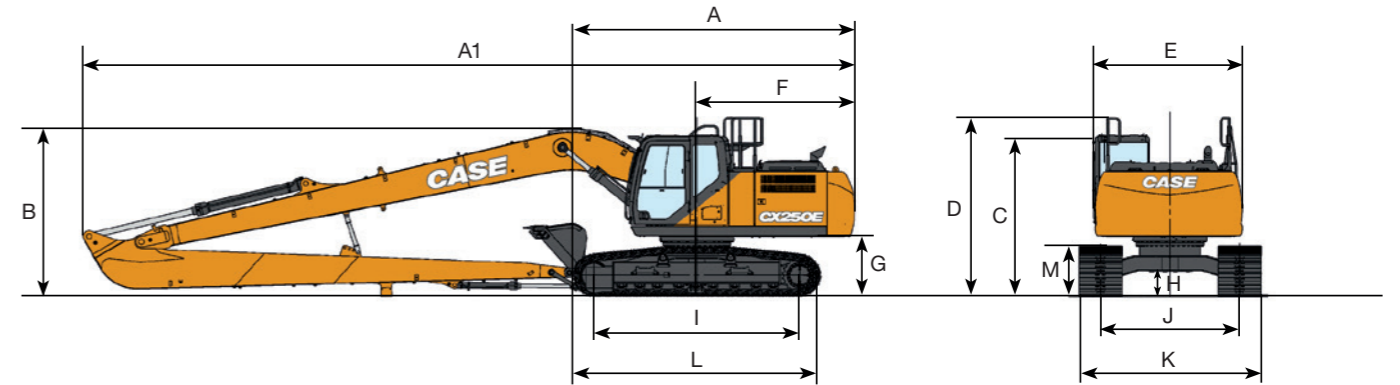
○ Rated material density up to 2 ton/m<sup>3</sup>  
● Rated material density up to 1.6 ton/m<sup>3</sup>

▲ Rated material density up to 1.4 ton/m<sup>3</sup>  
■ Rated material density up to 1.2 ton/m<sup>3</sup>

- Not applicable  
\* with bolt-on cutting edge

# SPECIFICATIONS

## CX250E LONG REACH



| GENERAL DIMENSIONS |   | Arm 8.00 m |
|--------------------|---|------------|
| A                  | Overall length (without attachment)             | mm 5310    |
| A1                 | Overall length (with attachment)                | mm 14460   |
| B                  | Overall height (to top of boom)                 | mm 3190    |
| C                  | Cab height                                      | mm 3130    |
| D                  | Overall height (to top of handrail)             | mm 3220    |
| E                  | Upper structure overall width                   | mm 2760    |
| F                  | Swing (rear end radius)                         | mm 2990    |
| G                  | Clearance height under upper structure          | mm 1100    |
| H                  | Minimum ground clearance                        | mm 440     |
| I                  | Wheel base (center to center of wheels)         | mm 3840    |
| J                  | Track gauge                                     | mm 2590    |
| K                  | Undercarriage overall width (with 800 mm shoes) | mm 3390    |
| L                  | Crawler overall length                          | mm 4650    |
| M                  | Crawler tracks height                           | mm 940     |

| DIGGING FORCE (ISO 6015) |  | Arm 8.00 m |
|--------------------------|--|------------|
| Arm digging force        |  | kN 40      |
| Bucket digging force     |  | kN 77      |

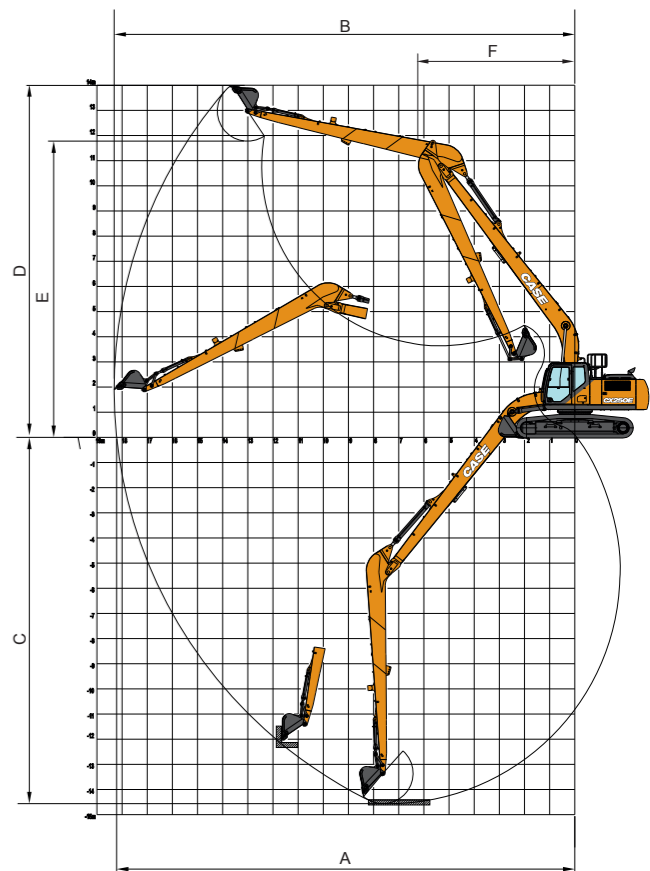
| PERFORMANCE DATA    |                      | Arm 8.00 m |
|---------------------|----------------------|------------|
| Boom length         |                      | mm 10300   |
| Bucket radius       |                      | mm 1200    |
| Bucket wrist action |                      | ° 178      |
| A                   | Maximum reach at GRP | mm 18220   |
| B                   | Maximum reach        | mm 18320   |
| C                   | Max. digging depth   | mm 14560   |
| D                   | Max. digging height  | mm 13950   |
| E                   | Max. dumping height  | mm 11780   |
| F                   | Min. swing radius    | mm 6290    |

### WEIGHT AND GROUND PRESSURE

With 8.00 m arm, 0.37 m<sup>3</sup> bucket, 800 mm grouser shoes, operator, lubricant, coolant, full fuel tank and FOPS protection level 2.

|    | Weight   | Ground pressure |
|----|----------|-----------------|
| LR | 29200 kg | 0.043 MPa       |

Counterweight: 7350 kg



# LIFTING CAPACITY

## CX250E LONG REACH

| REACH   | REACH |       |       |       |       |        |        |        |        |              |  |  |  |  |  |       |       |       |
|---------|-------|-------|-------|-------|-------|--------|--------|--------|--------|--------------|--|--|--|--|--|-------|-------|-------|
|         | 0.0 m | 2.0 m | 4.0 m | 6.0 m | 8.0 m | 10.0 m | 12.0 m | 14.0 m | 16.0 m | At max reach |  |  |  |  |  |       |       |       |
| 12.0 m  |       |       |       |       |       |        |        |        |        |              |  |  |  |  |  | 1730* | 1730* | 13.79 |
| 10.0 m  |       |       |       |       |       |        |        |        |        |              |  |  |  |  |  | 1940* | 1940* | 15.06 |
| 8.0 m   |       |       |       |       |       |        |        |        |        |              |  |  |  |  |  | 1990* | 1990* | 15.98 |
| 6.0 m   |       |       |       |       |       |        |        |        |        |              |  |  |  |  |  | 2220* | 2220* | 16.61 |
| 4.0 m   |       |       |       |       |       |        |        |        |        |              |  |  |  |  |  | 2780* | 2780* | 16.98 |
| 2.0 m   |       |       |       |       |       |        |        |        |        |              |  |  |  |  |  | 4240* | 4240* | 17.11 |
| 0 m     |       |       |       |       |       |        |        |        |        |              |  |  |  |  |  | 2380* | 2380* | 17.01 |
| -2.0 m  |       |       |       |       |       |        |        |        |        |              |  |  |  |  |  | 2580* | 2580* | 16.66 |
| -4.0 m  |       |       |       |       |       |        |        |        |        |              |  |  |  |  |  | 3180* | 3180* | 16.06 |
| -6.0 m  |       |       |       |       |       |        |        |        |        |              |  |  |  |  |  | 2650* | 2650* | 15.17 |
| -8.0 m  |       |       |       |       |       |        |        |        |        |              |  |  |  |  |  | 3340* | 3340* | 13.94 |
| -10.0 m |       |       |       |       |       |        |        |        |        |              |  |  |  |  |  | 4790* | 4790* | 12.26 |
| -12.0 m |       |       |       |       |       |        |        |        |        |              |  |  |  |  |  | 7860* | 7860* | 9.91  |

\* The above loads (kg) are compliant to the ISO standards and refer to the excavator equipped without bucket. The indicated loads are no more than 87% of hydraulic system lift capacity or 75% of static tipping load. Values marked with an asterisk (\*) are limited by the hydraulic lifting capacity.

# BUCKETS

## CX250E LONG REACH

| DIRECT FIT                                  |          |           |            | QUICK COUPLED                               |          |           |            |
|---|----------|-----------|------------|---|----------|-----------|------------|
| Capacity m <sup>3</sup><br>(ISO7451 HEAPED) | Width mm | Weight kg | Arm 8.00 m | Capacity m <sup>3</sup><br>(ISO7451 HEAPED) | Width mm | Weight kg | Arm 8.00 m |
| <b>GENERAL PURPOSE BUCKETS</b>              |          |           |            | <b>GENERAL PURPOSE BUCKETS</b>              |          |           |            |
| 0.21  | 450      | 250       | ○          | 0.21  | 450      | 250       | ○          |
| 0.31  | 600      | 290       | ○          | 0.31  | 600      | 280       | ○          |
| 0.41  | 750      | 330       | ○          | 0.41  | 750      | 310       | ●          |
| 0.52  | 900      | 360       | ●          | 0.52  | 900      | 360       | ▲          |
| <b>GRADING BUCKET</b>                       |          |           |            | <b>DITCH CLEANING BUCKET</b>                |          |           |            |
| 0.46  | 1500     | 440*      | ▲          | 0.54  | 1830     | 480*      | ■          |
| <b>TILTABLE DITCH CLEANING BUCKET</b>       |          |           |            |   |          |           |            |
| 0.46  | 1500     | 640*      | ■          |   |          |           |            |

Tilt angle 45° L/R - Connect to Low-Flow Auxiliary Hydraulic Circuit

○ Rated material density up to 2 ton/m<sup>3</sup>      ▲ Rated material density up to 1.4ton/m<sup>3</sup>      — Not applicable  
 ● Rated material density up to 1.6 ton/m<sup>3</sup>      ■ Rated material density up to 1.2 ton/m<sup>3</sup>      \* with bolt-on cutting edge

# SPECIFICATIONS

## CX300E

**ENGINE**  
 Model \_\_\_\_\_ FPT NEF6 (F4HGE6138\*V)  
 Type \_\_\_\_\_ Water-cooled, 4-cycle diesel, 6-cylinder in line,  
 High pressure common rail system (electric control), Turbocharger  
 with air cooled intercooler, SCRof, EGR free.  
 Number of cylinders / Displacement (l) \_\_\_\_\_ 6 / 6.7  
 Bore and stroke (mm) \_\_\_\_\_ 115 x 125  
**Rated flywheel horse power**  
 ISO 9249 (kW) \_\_\_\_\_ 193.4 at 1900 min<sup>-1</sup> (rpm)  
 ISO 14396 (kW) \_\_\_\_\_ 204 at 1900 min<sup>-1</sup> (rpm)  
**Maximum torque**  
 ISO 9249 (Nm) \_\_\_\_\_ 999 at 1500 min<sup>-1</sup> (rpm)  
 ISO 14396 (Nm) \_\_\_\_\_ 1033 at 1500 min<sup>-1</sup> (rpm)

**HYDRAULIC SYSTEM**  
 Main pumps \_\_\_\_\_ 2 variable displacement axial  
 piston pumps with regulating system  
 Max. oil flow (liter/min) \_\_\_\_\_ 2 x 256 at 1900 min<sup>-1</sup>  
**Working circuit pressure**  
 Boom/Arm/Bucket (MPa) \_\_\_\_\_ 34.3 - 37.3 with auto power boost  
 Swing circuit (MPa) \_\_\_\_\_ 30.4  
 Travel circuit (MPa) \_\_\_\_\_ 34.3  
 Pilot pump (liter/min) \_\_\_\_\_ 27  
 Working circuit pressure (MPa) \_\_\_\_\_ 3.9  
**Boom cylinders**  
 Bore (mm) \_\_\_\_\_ 140  
 Stroke (mm) \_\_\_\_\_ 1369  
**Arm cylinder**  
 Bore (mm) \_\_\_\_\_ 150  
 Stroke (mm) \_\_\_\_\_ 1650  
**Bucket cylinder**  
 Bore (mm) \_\_\_\_\_ 135  
 Stroke (mm) \_\_\_\_\_ 1078

**SWING**  
 Swing motor \_\_\_\_\_ Fixed displacement axial piston motor  
 Maximum swing speed (min<sup>-1</sup>) \_\_\_\_\_ 7.5  
 Swing torque (kNm) \_\_\_\_\_ 92.1

**FILTERS**  
 Suction filter (µm) \_\_\_\_\_ 105  
 Return filter (µm) \_\_\_\_\_ 6  
 Pilot line filter (µm) \_\_\_\_\_ 8

**ELECTRICAL SYSTEM**  
 Voltage (V) \_\_\_\_\_ 24  
 Alternator (Amp) \_\_\_\_\_ 90  
 Starter (V - kW) \_\_\_\_\_ 24 - 4.0  
 Battery \_\_\_\_\_ 2 x 12 V 128 Ah/5HR

**UNDERCARRIAGE**  
 Travel motor \_\_\_\_\_ Variable displacement axial piston motor  
 High travel speed  
 (Automatic travel speed shifting) (km/h) \_\_\_\_\_ 5.4  
 Low travel speed (km/h) \_\_\_\_\_ 3.2  
 Drawbar pull (kN) \_\_\_\_\_ 247  
 Number of carrier rollers (each side) \_\_\_\_\_ 2  
 Number of track rollers (each side) \_\_\_\_\_ 8  
 Number of shoes (each side) \_\_\_\_\_ 50  
 Type of shoes \_\_\_\_\_ Triple grouser shoes  
 Gradeability \_\_\_\_\_ 70% (35°)

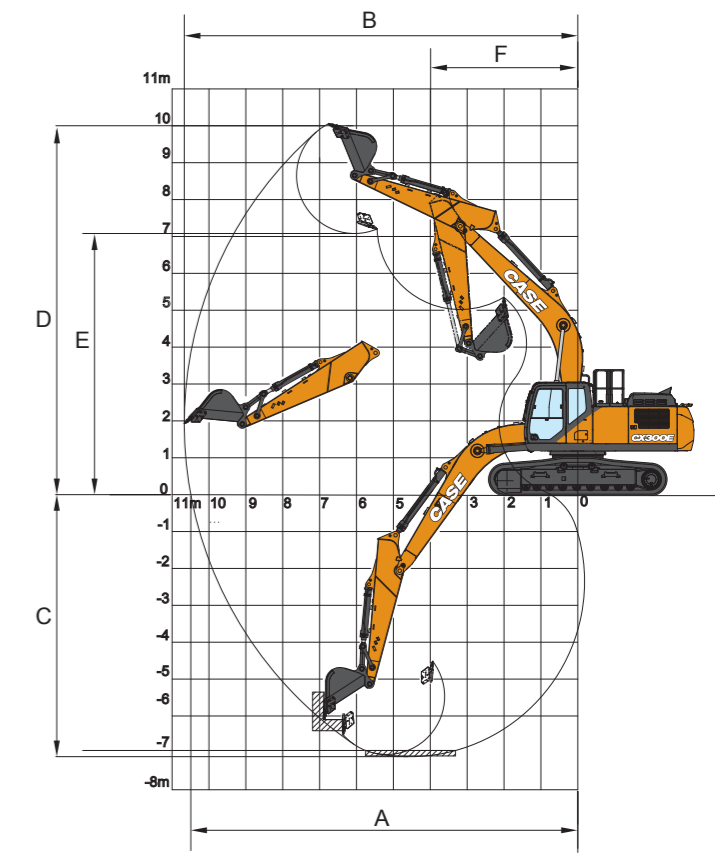
**NOISE**  
 External guaranteed sound level  
 (EU Directive 2000/14/EC) (dB(A)) \_\_\_\_\_ LwA 103  
 Operator cab sound pressure level  
 (ISO 6396) (dB(A)) \_\_\_\_\_ LpA 67

**CIRCUIT AND COMPONENT CAPACITIES**  
 Fuel tank (l) \_\_\_\_\_ 478  
 Hydraulic system (l) \_\_\_\_\_ 300  
 Hydraulic tank (l) \_\_\_\_\_ 173  
 AdBlue tank (l) \_\_\_\_\_ 84

| PERFORMANCE DATA       |    | Arm    | Arm    | Arm    |
|------------------------|----|--------|--------|--------|
|                        |    | 3.18 m | 2.65 m | 3.66 m |
| Boom length            | mm | 6150   | 6150   | 6150   |
| Bucket radius          | mm | 1570   | 1570   | 1570   |
| Bucket wrist action    |    | 176°   | 176°   | 176°   |
| A Maximum reach at GRP | mm | 10490  | 10030  | 10980  |
| B Maximum reach        | mm | 10670  | 10220  | 11160  |
| C Max. digging depth   | mm | 7100   | 6570   | 7580   |
| D Max. digging height  | mm | 10050  | 9930   | 10390  |
| E Max. dumping height  | mm | 7080   | 6930   | 7390   |
| F Min. swing radius    | mm | 4030   | 3980   | 4080   |

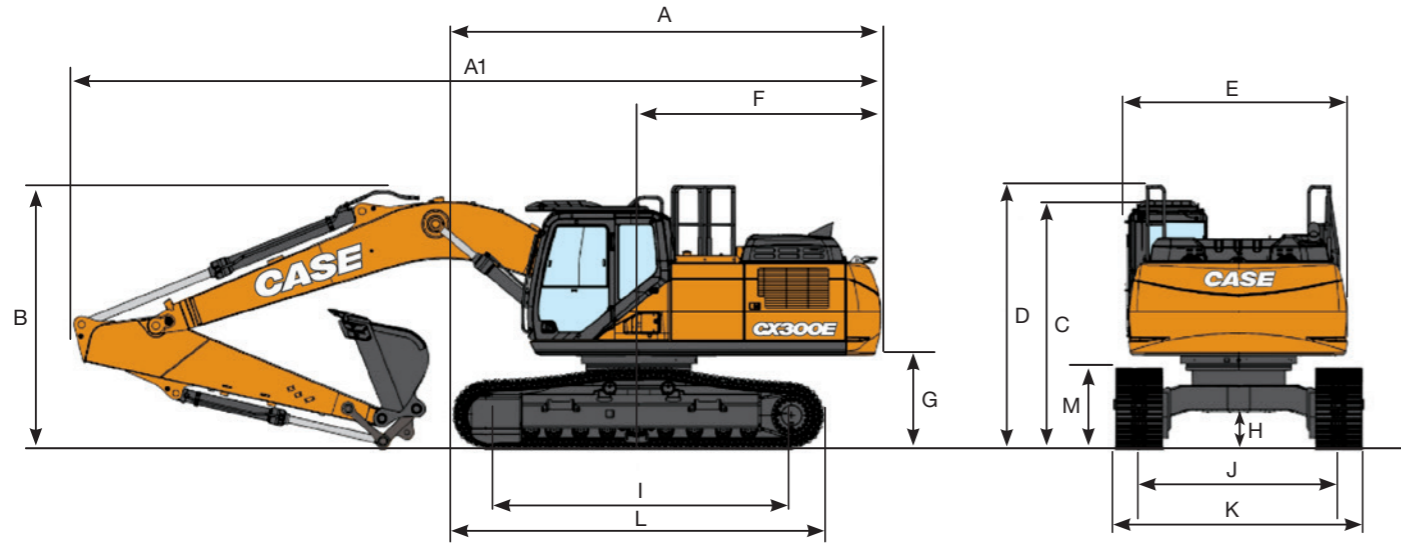
  

| DIGGING FORCE (ISO 6015) |    | Arm    | Arm    | Arm    |
|--------------------------|----|--------|--------|--------|
|                          |    | 3.18 m | 2.65 m | 3.66 m |
| Arm digging force        | kN | 128.4  | 147.0  | 114.3  |
| with Auto power boost    | kN | 139.6  | 159.9  | 124.3  |
| Bucket digging force     | kN | 175.0  | 175.0  | 175.0  |
| with Auto power boost    | kN | 190.3  | 190.3  | 190.3  |



# SPECIFICATIONS

## CX300E LC-NLC



| GENERAL DIMENSIONS                                       |    | Arm 3.18 m  | Arm 2.65 m  | Arm 3.66 m  |
|--|----|-------------|-------------|-------------|
| A Overall length (without attachment)                    | mm | 5680        | 5680        | 5680        |
| A1 Overall length (with attachment)                      | mm | 10610       | 10620       | 10600       |
| B Overall height (to top of boom)                        | mm | 3330        | 3320        | 3420        |
| C Cab height   | mm | 3210        | 3210        | 3210        |
| D Overall height (to top of guardrail)                   | mm | 3300        | 3300        | 3300        |
| E Upper structure overall width                          | mm | 2900        | 2900        | 2900        |
| F Swing (rear end radius)                                | mm | 3290        | 3290        | 3290        |
| G Clearance height under upper structure                 | mm | 1190        | 1190        | 1190        |
| H Minimum ground clearance                               | mm | 450         | 450         | 450         |
| I Wheel base (center to center of wheels)                | mm | 3980        | 3980        | 3980        |
| J Track gauge (LC/NLC)                                   | mm | 2600 / 2390 | 2600 / 2390 | 2600 / 2390 |
| K Undercarriage overall width (LC/NLC with 600 mm shoes) | mm | 3200 / 2990 | 3200 / 2990 | 3200 / 2990 |
| L Crawler overall length                                 | mm | 4850        | 4850        | 4850        |
| M Crawler tracks height                                  | mm | 1040        | 1040        | 1040        |

### WEIGHT AND GROUND PRESSURE

With 3.18 m arm, 1.1 m<sup>3</sup> bucket, 600 mm grouser shoes, operator, lubricant, coolant, full fuel tank and FOPS protection level 2.

|     | WEIGHT   | GROUND PRESSURE |
|-----|----------|-----------------|
| LC  | 29700 kg | 0.057 MPa       |
| NLC | 29600 kg | 0.057 MPa       |

Counterweight: 4900 kg

# LIFTING CAPACITY

## CX300E LC-NLC

| Front<br>Side | REACH |       |       |       |              |  |  |  |  |  |   |
|---------------|-------|-------|-------|-------|--------------|--|--|--|--|--|---|
|               | 2.0 m | 4.0 m | 6.0 m | 8.0 m | At max reach |  |  |  |  |  |   |
|               |       |       |       |       |              |  |  |  |  |  | m |

**LC UNDERCARRIAGE** - Standard arm 3.18 m, 600 mm shoes, max reach 9.10 m

|        |        |        |        |       |        |      |  |       |       |      |
|--------|--------|--------|--------|-------|--------|------|--|-------|-------|------|
| 8.0 m  |        |        |        |       |        |      |  | 6090* | 6090* | 6.72 |
| 6.0 m  |        |        |        |       | 6320*  | 5400 |  | 5690* | 5260  | 8.12 |
| 4.0 m  |        |        |        |       |        |      |  | 5740* | 4480  | 8.85 |
| 2.0 m  |        |        |        |       |        |      |  | 6140* | 4180  | 9.10 |
| 0 m    |        |        |        |       |        |      |  | 6310  | 4230  | 8.89 |
| -2.0 m | 9910*  | 9910*  | 18240* | 12950 | 11100  | 7100 |  | 7050  | 4690  | 8.19 |
| -4.0 m | 18660* | 18660* | 14980* | 13200 | 10300* | 7220 |  | 8470* | 6070  | 6.85 |

**LC UNDERCARRIAGE** - Short arm 2.65 m, 600 mm shoes, max reach 8.65 m

|        |        |        |        |       |       |      |  |       |       |      |
|--------|--------|--------|--------|-------|-------|------|--|-------|-------|------|
| 8.0 m  |        |        |        |       |       |      |  | 7990* | 7990* | 6.09 |
| 6.0 m  |        |        |        |       |       |      |  | 7350* | 5810  | 7.61 |
| 4.0 m  |        |        |        |       |       |      |  | 7170  | 4880  | 8.39 |
| 2.0 m  |        |        |        |       |       |      |  | 6720  | 4540  | 8.65 |
| 0 m    |        |        |        |       |       |      |  | 6880  | 4620  | 8.42 |
| -2.0 m | 10300* | 10300* | 17500* | 13140 | 11210 | 7210 |  | 7830  | 5210  | 7.68 |
| -4.0 m |        |        | 13580* | 13460 | 9220* | 7420 |  | 8610* | 7060  | 6.24 |

**LC UNDERCARRIAGE** - Long arm 3.66 m, 600 mm shoes, max reach 9.58 m

|        |        |        |        |       |        |      |  |       |       |      |
|--------|--------|--------|--------|-------|--------|------|--|-------|-------|------|
| 8.0 m  |        |        |        |       |        |      |  | 4880* | 4880* | 7.37 |
| 6.0 m  |        |        |        |       |        |      |  | 4560* | 4560* | 8.66 |
| 4.0 m  |        |        |        |       |        |      |  | 4570* | 4080  | 9.35 |
| 2.0 m  |        |        |        |       |        |      |  | 4830* | 3820  | 9.58 |
| 0 m    |        |        |        |       |        |      |  | 5420* | 3850  | 9.39 |
| -2.0 m | 8870*  | 8870*  | 18650* | 12770 | 11000  | 6990 |  | 7170  | 4730  | 8.73 |
| -4.0 m | 15860* | 15860* | 15990* | 12950 | 10910* | 7050 |  | 7990  | 5260  | 7.49 |
| -6.0 m |        |        |        |       |        |      |  | 8060* | 8060* | 4.86 |

**NLC UNDERCARRIAGE** - Standard arm 3.18 m, 600 mm shoes, max reach 9.10 m

|        |        |        |        |       |        |      |  |       |       |      |
|--------|--------|--------|--------|-------|--------|------|--|-------|-------|------|
| 8.0 m  |        |        |        |       |        |      |  | 6090* | 6090* | 6.72 |
| 6.0 m  |        |        |        |       |        |      |  | 5690* | 4840  | 8.12 |
| 4.0 m  |        |        |        |       |        |      |  | 5740* | 4110  | 8.85 |
| 2.0 m  |        |        |        |       |        |      |  | 6140* | 3820  | 9.10 |
| 0 m    |        |        |        |       |        |      |  | 6290  | 3860  | 8.89 |
| -2.0 m | 9910*  | 9910*  | 18240* | 11580 | 11080  | 6440 |  | 7040  | 4280  | 8.19 |
| -4.0 m | 18660* | 18660* | 14980* | 11820 | 10300* | 6560 |  | 8470* | 5530  | 6.85 |

**NLC UNDERCARRIAGE** - Short arm 2.65 m, 600 mm shoes, max reach 8.65 m

|        |        |        |        |       |       |      |  |       |      |      |
|--------|--------|--------|--------|-------|-------|------|--|-------|------|------|
| 8.0 m  |        |        |        |       |       |      |  | 7990* | 7680 | 6.09 |
| 6.0 m  |        |        |        |       |       |      |  | 7350* | 5350 | 7.61 |
| 4.0 m  |        |        |        |       |       |      |  | 7160  | 4480 | 8.39 |
| 2.0 m  |        |        |        |       |       |      |  | 6700  | 4160 | 8.65 |
| 0 m    |        |        |        |       |       |      |  | 6860  | 4230 | 8.42 |
| -2.0 m | 10300* | 10300* | 17500* | 11770 | 11190 | 6550 |  | 7810  | 4760 | 7.68 |
| -4.0 m |        |        | 13580* | 12080 | 9220* | 6760 |  | 8610* | 6440 | 6.24 |

**NLC UNDERCARRIAGE** - Long arm 3.66 m, 600 mm shoes, max reach 9.58 m

|        |        |        |        |       |        |      |  |       |       |      |
|--------|--------|--------|--------|-------|--------|------|--|-------|-------|------|
| 8.0 m  |        |        |        |       |        |      |  | 4880* | 4880* | 7.37 |
| 6.0 m  |        |        |        |       |        |      |  | 4560* | 4350  | 8.66 |
| 4.0 m  |        |        |        |       |        |      |  | 4570* | 3740  | 9.35 |
| 2.0 m  |        |        |        |       |        |      |  | 4830* | 3490  | 9.58 |
| 0 m    |        |        |        |       |        |      |  | 5420* | 3510  | 9.39 |
| -2.0 m | 8870*  | 8870*  | 18650* | 11400 | 10970  | 6340 |  | 7160  | 4300  | 8.73 |
| -4.0 m | 15860* | 15860* | 15990* | 11580 | 10910* | 6390 |  | 7980  | 4790  | 7.49 |
| -6.0 m |        |        |        |       |        |      |  | 8060* | 8060* | 4.86 |

\* The above loads (kg) are compliant to the ISO standards and refer to the excavator equipped without bucket. The indicated loads are no more than 87% of hydraulic system lift capacity or 75% of static tipping load. Values marked with an asterisk (\*) are limited by the hydraulic lifting capacity.

# BUCKETS

## CX300E LC-NLC

### LC DIRECT FIT

| Capacity m <sup>3</sup><br>(ISO7451 HEAPED) | Width<br>mm | Weight<br>kg | Arm<br>2.65 m | Arm<br>3.18 m | Arm<br>3.66 m |
|---|-------------|--------------|---------------|---------------|---------------|
| <b>HEAVY DUTY BUCKETS</b>                   |             |              |               |               |               |
| 0.51  | 600         | 660          | ○             | ○             | ○             |
| 0.68  | 750         | 750          | ○             | ○             | ○             |
| 0.85  | 900         | 1040         | ○             | ○             | ○             |
| 1.11  | 1100        | 1150         | ○             | ○             | ○             |
| 1.24  | 1200        | 1240         | ○             | ○             | ●             |
| 1.43  | 1350        | 1310         | ○             | ●             | ●             |
| 1.63  | 1500        | 1460         | ●             | ●             | ■             |
| 1.72  | 1600        | 1520         | ●             | ■             | -             |

| <b>ROCK BUCKETS</b> |      |      |   |   |   |
|---------------------|------|------|---|---|---|
| 0.85                | 900  | 1080 | ○ | ○ | ○ |
| 0.96                | 1000 | 1140 | ○ | ○ | ○ |
| 1.02                | 1050 | 1170 | ○ | ○ | ○ |
| 1.11                | 1100 | 1190 | ○ | ○ | ○ |
| 1.24                | 1200 | 1280 | ○ | ○ | ● |
| 1.43                | 1350 | 1360 | ○ | ● | ▲ |
| 1.63                | 1500 | 1500 | ● | ▲ | ■ |

| <b>GRADING BUCKETS</b> |      |       |   |   |   |
|------------------------|------|-------|---|---|---|
| 1.38                   | 1800 | 890*  | ○ | ○ | ● |
| 1.64                   | 2100 | 980*  | ○ | ● | ▲ |
| 1.90                   | 2400 | 1090* | ● | ▲ | ■ |

| <b>DITCH CLEANING BUCKETS</b> |      |       |   |   |   |
|-------------------------------|------|-------|---|---|---|
| 0.89                          | 1830 | 910*  | ○ | ○ | ○ |
| 1.48                          | 2130 | 1020* | ○ | ○ | ● |

| <b>TILTABLE DITCH CLEANING BUCKETS</b> |      |       |   |   |   |
|--|------|-------|---|---|---|
| 1.13                                   | 1800 | 1100* | ○ | ○ | ○ |
| 1.25                                   | 2000 | 1160* | ○ | ○ | ● |
| 1.38                                   | 2200 | 1250* | ○ | ● | ● |
| 1.51                                   | 2400 | 1310* | ● | ● | ▲ |
| 1.57                                   | 2500 | 1370* | ● | ▲ | ■ |

Tilt angle 45° L/R - Connect to Low-Flow Auxiliary Hydraulic Circuit

○ Rated material density up to 2 ton/m<sup>3</sup>  
● Rated material density up to 1.6 ton/m<sup>3</sup>

▲ Rated material density up to 1.4ton/m<sup>3</sup>  
■ Rated material density up to 1.2 ton/m<sup>3</sup>

— Not applicable  
\* with bolt-on cutting edge



### NLC DIRECT FIT

| Capacity m <sup>3</sup><br>(ISO7451 HEAPED) | Width<br>mm | Weight<br>kg | Arm<br>2.65 m | Arm<br>3.18 m | Arm<br>3.66 m |
|---|-------------|--------------|---------------|---------------|---------------|
| <b>HEAVY DUTY BUCKETS</b>                   |             |              |               |               |               |
| 0.51  | 600         | 660          | ○             | ○             | ○             |
| 0.68  | 750         | 750          | ○             | ○             | ○             |
| 0.85  | 900         | 1040         | ○             | ○             | ○             |
| 1.11  | 1100        | 1150         | ○             | ○             | ●             |
| 1.24  | 1200        | 1240         | ○             | ●             | ●             |
| 1.43  | 1350        | 1310         | ●             | ●             | ■             |
| 1.63  | 1500        | 1460         | ●             | ■             | -             |
| 1.72  | 1600        | 1520         | ▲             | ■             | -             |

| <b>ROCK BUCKETS</b> |      |      |   |   |   |
|---------------------|------|------|---|---|---|
| 0.85                | 900  | 1080 | ○ | ○ | ○ |
| 0.96                | 1000 | 1140 | ○ | ○ | ○ |
| 1.02                | 1050 | 1170 | ○ | ○ | ○ |
| 1.11                | 1100 | 1190 | ○ | ○ | ○ |
| 1.24                | 1200 | 1280 | ○ | ● | ▲ |
| 1.43                | 1350 | 1360 | ● | ▲ | ■ |
| 1.63                | 1500 | 1500 | ▲ | ■ | - |

| <b>GRADING BUCKETS</b> |      |       |   |   |   |
|------------------------|------|-------|---|---|---|
| 1.38                   | 1800 | 890*  | ○ | ○ | ● |
| 1.64                   | 2100 | 980*  | ● | ● | ■ |
| 1.90                   | 2400 | 1090* | ▲ | ■ | - |

| <b>DITCH CLEANING BUCKETS</b> |      |       |   |   |   |
|-------------------------------|------|-------|---|---|---|
| 0.89                          | 1830 | 910*  | ○ | ○ | ○ |
| 1.48                          | 2130 | 1020* | ○ | ● | ▲ |

| <b>TILTABLE DITCH CLEANING BUCKETS</b> |      |       |   |   |   |
|--|------|-------|---|---|---|
| 1.13                                   | 1800 | 1100* | ○ | ○ | ○ |
| 1.25                                   | 2000 | 1160* | ○ | ○ | ● |
| 1.38                                   | 2200 | 1250* | ○ | ● | ● |
| 1.51                                   | 2400 | 1310* | ● | ▲ | ■ |
| 1.57                                   | 2500 | 1370* | ▲ | ■ | - |

# BUCKETS

## CX300E LC-NLC

### LC QUICK COUPLED

| Capacity m <sup>3</sup><br>(ISO7451 HEAPED) | Width<br>mm | Weight<br>kg | Arm<br>2.65 m | Arm<br>3.18 m | Arm<br>3.66 m |
|---|-------------|--------------|---------------|---------------|---------------|
| <b>HEAVY DUTY BUCKETS</b>                   |             |              |               |               |               |
| 0.51  | 600         | 660          | ○             | ○             | ○             |
| 0.68  | 750         | 750          | ○             | ○             | ○             |
| 0.85  | 900         | 1040         | ○             | ○             | ○             |
| 1.11  | 1100        | 1150         | ○             | ○             | ●             |
| 1.24  | 1200        | 1240         | ○             | ●             | ▲             |
| 1.43  | 1350        | 1310         | ●             | ▲             | ■             |
| 1.63  | 1500        | 1460         | ▲             | ■             | -             |
| 1.72  | 1600        | 1520         | ■             | -             | -             |

| <b>ROCK BUCKETS</b> |      |      |   |   |   |
|---------------------|------|------|---|---|---|
| 0.85                | 900  | 1080 | ○ | ○ | ○ |
| 0.96                | 1000 | 1140 | ○ | ○ | ○ |
| 1.02                | 1050 | 1170 | ○ | ○ | ○ |
| 1.11                | 1100 | 1190 | ○ | ○ | ○ |
| 1.24                | 1200 | 1280 | ○ | ● | ▲ |
| 1.43                | 1350 | 1360 | ● | ▲ | ■ |
| 1.63                | 1500 | 1500 | ▲ | ■ | - |

| <b>GRADING BUCKETS</b> |      |       |   |   |   |
|------------------------|------|-------|---|---|---|
| 1.38                   | 1800 | 890*  | ○ | ● | ● |
| 1.64                   | 2100 | 980*  | ● | ▲ | ■ |
| 1.90                   | 2400 | 1090* | ▲ | ■ | - |

| <b>DITCH CLEANING BUCKETS</b> |      |       |   |   |   |
|-------------------------------|------|-------|---|---|---|
| 0.89                          | 1830 | 910*  | ○ | ○ | ○ |
| 1.48                          | 2130 | 1020* | ○ | ● | ▲ |

○ Rated material density up to 2 ton/m<sup>3</sup>  
● Rated material density up to 1.6 ton/m<sup>3</sup>

▲ Rated material density up to 1.4ton/m<sup>3</sup>  
■ Rated material density up to 1.2 ton/m<sup>3</sup>

— Not applicable  
\* with bolt-on cutting edge



### NLC QUICK COUPLED

| Capacity m <sup>3</sup><br>(ISO7451 HEAPED) | Width<br>mm | Weight<br>kg | Arm<br>2.65 m | Arm<br>3.18 m | Arm<br>3.66 m |
|---|-------------|--------------|---------------|---------------|---------------|
| <b>HEAVY DUTY BUCKETS</b>                   |             |              |               |               |               |
| 0.51  | 600         | 660          | ○             | ○             | ○             |
| 0.68  | 750         | 750          | ○             | ○             | ○             |
| 0.85  | 900         | 1040         | ○             | ○             | ○             |
| 1.11  | 1100        | 1150         | ○             | ○             | ●             |
| 1.24  | 1200        | 1240         | ○             | ●             | ▲             |
| 1.43  | 1350        | 1310         | ▲             | ■             | -             |
| 1.63  | 1500        | 1460         | ■             | -             | -             |

| <b>ROCK BUCKETS</b> |      |      |   |   |   |
|---------------------|------|------|---|---|---|
| 0.85                | 900  | 1080 | ○ | ○ | ○ |
| 0.96                | 1000 | 1140 | ○ | ○ | ○ |
| 1.02                | 1050 | 1170 | ○ | ○ | ○ |
| 1.11                | 1100 | 1190 | ○ | ○ | ○ |
| 1.24                | 1200 | 1280 | ○ | ● | ▲ |
| 1.43                | 1350 | 1360 | ▲ | ■ | - |
| 1.63                | 1500 | 1500 | ■ | - | - |

| <b>GRADING BUCKETS</b> |      |       |   |   |   |
|------------------------|------|-------|---|---|---|
| 1.38                   | 1800 | 890*  | ● | ● | ■ |
| 1.64                   | 2100 | 980*  | ▲ | ■ | - |
| 1.90                   | 2400 | 1090* | ■ | - | - |

| <b>DITCH CLEANING BUCKETS</b> |      |       |   |   |   |
|-------------------------------|------|-------|---|---|---|
| 0.89                          | 1830 | 910*  | ○ | ○ | ○ |
| 1.48                          | 2130 | 1020* | ○ | ● | ▲ |

# HAMMER

## CX300E

### DIRECT FIT

| Model             | Install Weight<br>kg | Reference machine settings |                        | Arm<br>2.65 m | Arm<br>3.18 m | Arm<br>3.66 m |
|-------------------|----------------------|----------------------------|------------------------|---------------|---------------|---------------|
|                   |                      | Flow<br>l/min              | Relief Pressure<br>Mpa |               |               |               |
| <b>CB BREAKER</b> |                      |                            |                        |               |               |               |
| CB290S            | 1500                 | 150                        | 21-22                  | □             | □             | □             |
| CB370S            | 1800                 | 165                        | 19-21                  | □             | □             | -             |

□ Applicable  
— Not applicable

□ Applicable with condition (only for light duty works as residential construction or utilities maintenance)

