

T-SERIES BACKHOE LOADERS
580ST | 590ST | 695ST

CASE
CONSTRUCTION



**THE ORIGINAL,
READY FOR ANYTHING**

www.casece.com
EXPERTS FOR THE REAL WORLD
SINCE 1842

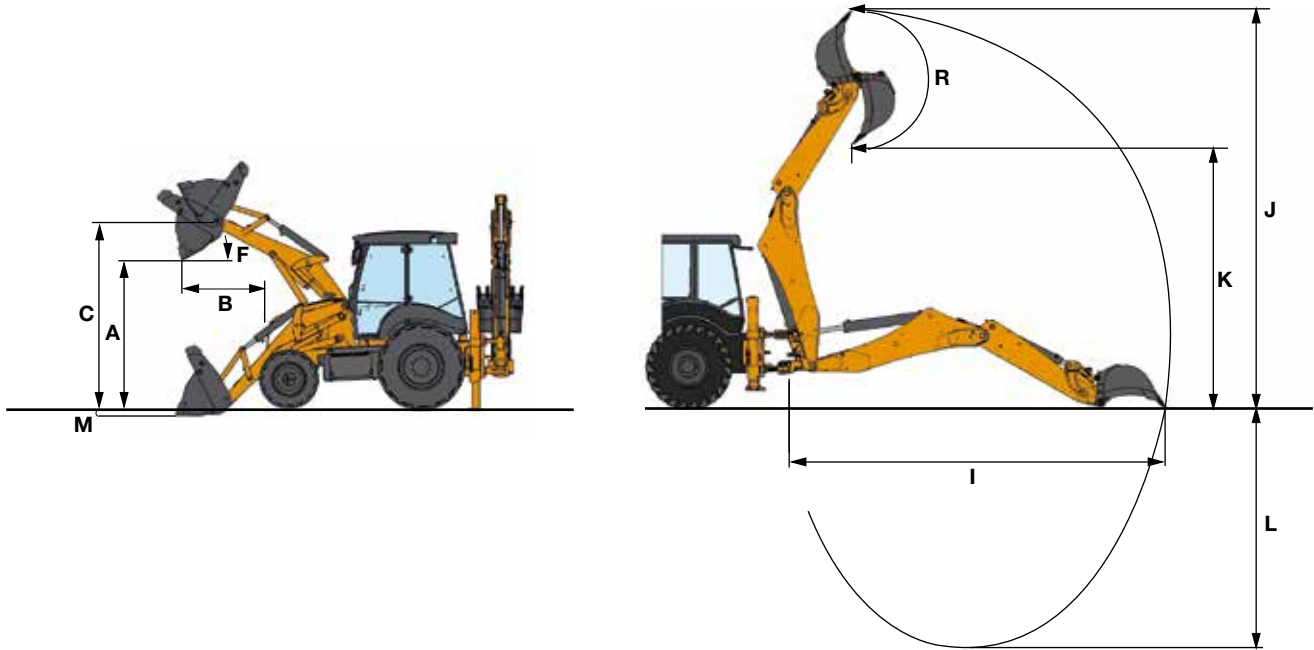
T-SERIES BACKHOE LOADERS

SPECIFICATIONS

ENGINE	580ST		590ST		695ST	
Make and Model	FPT F5C - F5BFL413B		FPT F5C - F5BFL413A			
Injection system	High Pressure Common Rail					
Emissions level	Stage IV / Tier 4 Final					
# of cylinders	4					
Bore / Stroke	99 mm x 110 mm					
Displacement / Compression ratio	3.4 ltr / 17 to 1					
Engine rated Power (ISO 14396)	72 KW (97 hp) @ 2200 rpm		82 KW (110 hp) @ 2200 rpm			
Max Net Power	84 KW (112 hp) @2000 rpm		89 KW (119 hp) @1900 rpm			
Maximum torque (ISO 14396)	459 Nm @ 1400 rpm		467 Nm @ 1400 rpm			
Engine speeds	2200 rpm (rated speed at full load) / 900-1000 rpm (low speed at no load)					
TRANSMISSION	4WD					4WD - 4WS
Type	Powershuttle	Powershift	Powershuttle	Powershift	Powershift	
Model	Carraro TLB1 PB 4WD	Carraro TLB2 MPB 4WD	Carraro TLB1 PB 4WD	Carraro TLB2 MPB 4WD	Carraro TLB2 4WS MPB	
Forward travel speeds	6 - 10 - 21 - 40 (kph)				7 - 11 - 24 - 40 (kph)	
Reverse travel speeds	7 - 12 - 26 - 47 (kph)				8 - 13 - 29 (kph)	
FRONT AXLE	4WD Heavy duty					4WD with limited slip differential
Oscillation	+/- 11°				+/- 8°	
REAR AXLE	Carraro 28.44FR with Differential lock		Carraro 28.50 with Differential lock		Carraro 26.43 with limited slip differential	
BRAKES	Hydraulic foot operated, 2 disc per side					Hydraulic foot operated, 3 disc per side
Service brakes	Hydraulic foot operated, 2 disc per side					Hydraulic foot operated, 3 disc per side
Parking brakes	Mechanically actuated					
TIRES	18"		20"	18"	20"	24"
Front	18"		20"	18"	20"	24"
Rear	26" or 28"		30"	26" or 28"	30"	24"
STEERING	Power Steering					
Type	Power Steering					
System pressure / Displacement	180 bar / 160 cc					
Turning radius 4WD (external radius)	With 18" tires: 4300 mm with brakes off 3600 mm with brakes on				With 28" tires: 8180 mm in 2WS mode with brakes off 6820 mm in 2WS mode with brakes on 4810 mm in 4WS mode with brakes off	
HYDRAULIC SYSTEM	Load sensing closed center with twin gear pump		Load sensing closed center with variable volume pump		Load sensing closed center with variable volume pump	
Type	Load sensing closed center with twin gear pump		Load sensing closed center with variable volume pump		Load sensing closed center with variable volume pump	
Flow (@ 2200 rpm)	156 l/min		6 to 165 l/min		6 to 165 l/min	
Pressure	205 bar		205 bar		205 bar	
SERVICE CAPACITIES	8 l		8 l		8 l	
Engine oil	8 l		8 l		8 l	
Transmission oil	20.8 l		20.8 l		20.8 l	
Rear axle oil	21.2 l		21.2 l		13.6 l	
Hydraulic oil	142 l		142 l		142 l	
Fuel tank	131 l		131 l		131 l	
DEF tank	13.2 l		13.2 l		13.2 l	
Coolant	24 l		24 l		24 l	
ELECTRICAL SYSTEM	12 V		12 V		12 V	
Voltage	12 V		12 V		12 V	
Battery	Single: 95 Ah 900 A or Double: 60 Ah, 600 A (each)					
Alternator	120 A		120 A		120 A	
CAB	ROPS / FOPS		ROPS / FOPS		ROPS / FOPS	
Certification	ROPS / FOPS		ROPS / FOPS		ROPS / FOPS	
Air Conditioning	Optional		Optional		Optional	
NOISE	77 dB(A)		77 dB(A)		77 dB(A)	
Internal (cab)	77 dB(A)		77 dB(A)		77 dB(A)	
External	102 dB(A)		103 dB(A)		103 dB(A)	

SPECIFICATIONS

GENERAL DIMENSIONS



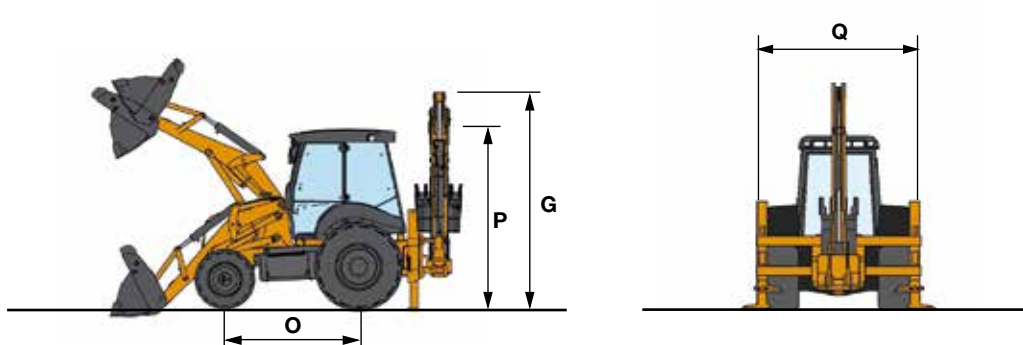
580ST - 590ST

		TOOL CARRIER LOADER ARM		STRAIGHT LOADER ARM		
		Std bucket	4 x 1 bucket	Std bucket	4 x 1 bucket	
LOADER (4WD configuration)						
A	Maximum dump height under bucket at 45°	mm	2606	2618	2711	2726
B	Dump Reach at full height	mm	844	825	815	785
C	Maximum height pin	mm	3460	3458	3490	3490
F	Dump angle	°		46		45
M	Below ground level digging depth	mm	166	170	105	157
	Maximum lifting capacity @ ground level	kg		5670		4731
	Maximum lifting capacity @ max height	kg	3934	3572	3553	3290
	Loader breakout force	daN		4910		3804
	Bucket breakout force	daN		6338		5985

		CASE DNA backhoe		In-Line cylinder backhoe		CASE DNA backhoe		In-Line cylinder backhoe		
		Std Dipper	Extendable Dipper	Std Dipper	Extendable Dipper	Std Dipper	Extendable Dipper	Std Dipper	Extendable Dipper	
BACKHOE										
	Backhoe size	ft	14 (580ST)	14 (580ST)		15 (590ST)		15 (580ST, 590ST)		
	Swinging angle	°			180					
I	Maximum reach from swing center	mm	5695	6699	5612	6286	5967	7111	5862	6991
J	Maximum operating height	mm	5802	6713	5425	6173	6043	7069	5616	6348
K	Maximum loading height	mm	3859	4752	3658	4424	4098	5124	3867	4601
L	Maximum digging depth	mm	4448	5514	4385	5627	4750	5965	4666	5881
R	Bucket rotation	°		198		203 (max amp hole)		198		203 (max amp hole)
	Bucket breakout force	daN		5326		5971 (max force hole)		6114		5971 (max force hole)
	Dipper breakout force	daN	3240	2375	3767	2592	3362	2420	3358	2389

T-SERIES BACKHOE LOADERS

GENERAL DIMENSIONS



OVERALL DIMENSIONS		580ST - 590ST	
		CASE DNA backhoe	In-Line cylinder backhoe
G Boom height (transport position)	mm	3560	3880
O Wheel base	mm		2175
P Cab height	mm		2950
Q Overall width with standard loader bucket	mm		2430
Minimum ground clearance	mm		348

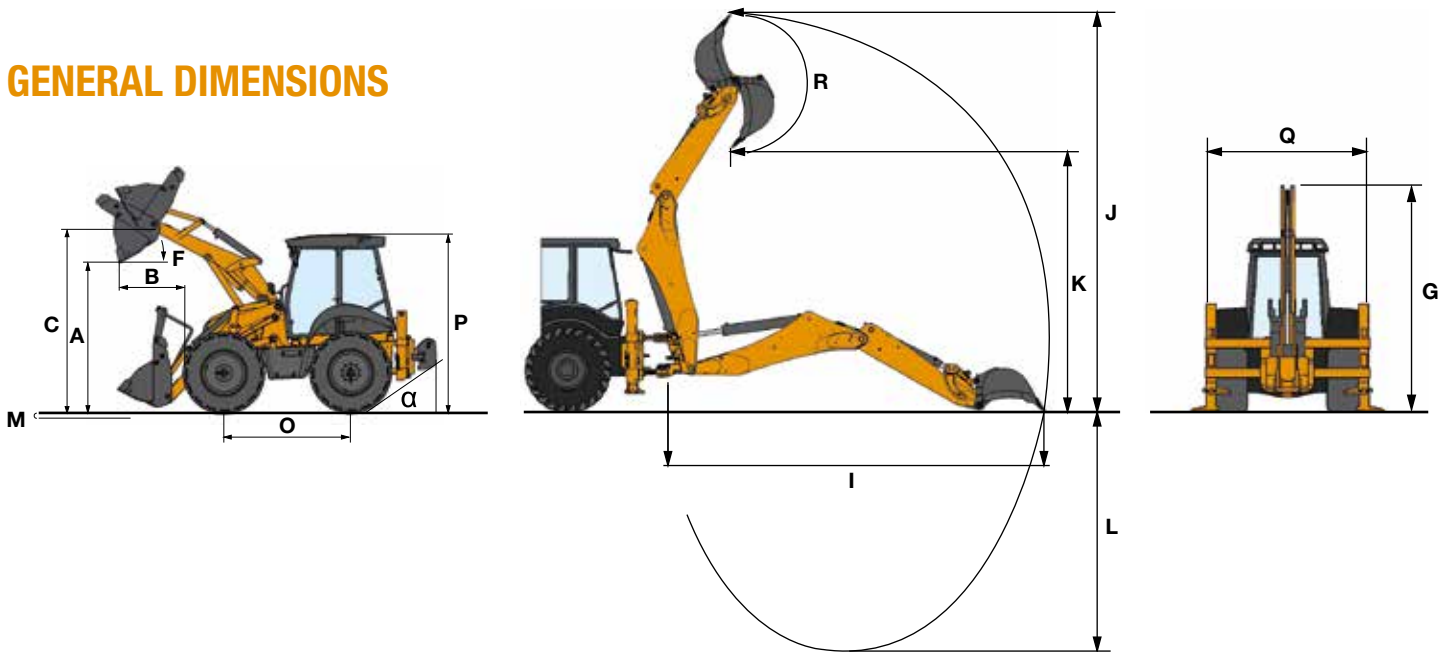
WEIGHTS		580ST	590ST
Total permissible mass	kg		9140

OPTIONAL BUCKETS Loader	Capacity (SAE ltr)	CASE DNA backhoe	Capacity (SAE ltr)	In-line cylinder backhoe	Capacity (SAE ltr)
Standard	1000 / 1200	300 mm backhoe trenching	80	300 mm backhoe trenching	80
4 x 1	1000 / 1150	400 mm backhoe trenching*	110	457 mm backhoe trenching	140
6 x 1	1000 / 1150	450 mm backhoe trenching*	120	610 mm backhoe trenching	180
		610 mm backhoe trenching*	180	760 mm backhoe trenching	260
		760 mm backhoe trenching	260	915 mm backhoe trenching	320
		900 mm backhoe trenching*	300		
		1500 mm Ditch Cleaning	280		

* Standard and Heavy Duty versions

SPECIFICATIONS

GENERAL DIMENSIONS



695ST TOOL CARRIER LOADER ARM

LOADER*		Std bucket	4 x 1 bucket	
A	Maximum dump height under bucket at 45°	mm	2708	2718
B	Dump Reach at full height	mm	799	782
C	Maximum height pin	mm	3531	3531
F	Dump angle	°	46	
M	Below ground level digging depth	mm	93	97
	Maximum lifting capacity @ ground level	kg	5350	
	Maximum lifting capacity @ max height	kg	3934	3572
	Loader breakout force	daN	4350	
	Bucket breakout force	daN	5240	

* Values valid also for Loader Only version

BACKHOE		CASE DNA backhoe		In-Line cylinder backhoe		
		Std Dipper	Extendable Dipper	Std Dipper	Extendable Dipper	
	Backhoe size	ft	15	15		
	Swinging angle	°		180		
I	Maximum reach from swing center	mm	5961	7111	5862	6991
J	Maximum operating height	mm	6043	7069	5616	6348
K	Maximum loading height	mm	4098	5124	3867	4601
L	Maximum digging depth	mm	4750	5965	4666	5881
R	Bucket rotation	°	198		203 (max amp hole)	
	Bucket breakout force	daN	6114		5971 (max force hole)	
	Dipper breakout force	daN	3362	2420	3358	2389

OVERALL DIMENSIONS		CASE DNA backhoe	In-Line cylinder backhoe	695ST LOADER ONLY	
G	Boom height (transport position)	mm	3692	4013	-
O	Wheel base	mm	2220	2220	2220
P	Cab height	mm	3060	3060	3060
Q	Overall width with standard loader bucket	mm	2480	2480	2480
α	Ramp angle	°	34	34	34

WEIGHTS		695ST
Total permissible mass	kg	9350

OPTIONAL BUCKETS	Capacity (SAE Itr)	CASE DNA backhoe	Capacity (SAE Itr)	In-line cylinder backhoe	Capacity (SAE Itr)
Loader					
Standard	1200	300 mm backhoe trenching	80	300 mm backhoe trenching	80
4 x 1	1150 / 1200	400 mm backhoe trenching*	110	457 mm backhoe trenching	140
6 x 1	1150 / 1200	450 mm backhoe trenching*	120	610 mm backhoe trenching	180
		610 mm backhoe trenching*	180	760 mm backhoe trenching	260
		760 mm backhoe trenching	260	915 mm backhoe trenching	320
		900 mm backhoe trenching*	300		
		1500 mm Ditch Cleaning	280		

* Standard and Heavy Duty versions